



KNEE VALVES

Conforms To NSF 61/9 Lead Free Requirements



7-PS-32

INCLUDES BRACKET



Adjustable Mixing Valve

K-104

REPLACEMENT ONLY (NO BRACKET)

Item #: _____ Qty #: _____

Model #: _____

Project #: _____

FEATURES:

- Knee Actuated Pedal Valve for water operation.
- Built-In Check Valves
- Tempering Mixing Valve to adjust water temperature

MATERIAL:

Body: Chrome Plated Brass

Pedal: Chrome Plated

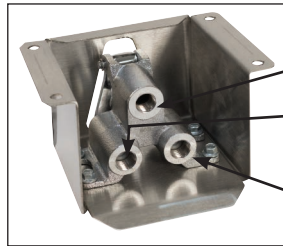
Bracket: 16 Ga., Type 304 Stainless Steel

OPTIONS & REPLACEMENTS

Thermostatic
Mixing Valve
K-425



Replacement
Bonnet
K-01



Back View

- Outlet To Faucet
3/8" NPT Female
- Hot Inlet
3/8" NPT Female
- Cold Inlet
3/8" NPT Female



Back View

NOTE: Mixing Valve is a Tempering Valve Only.
Does not meet ASSE 1070 Specs.

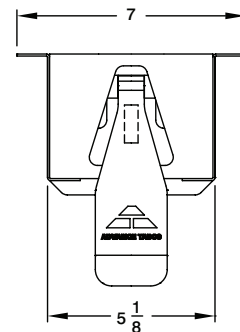
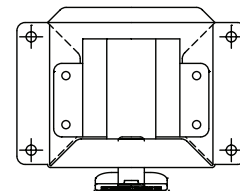
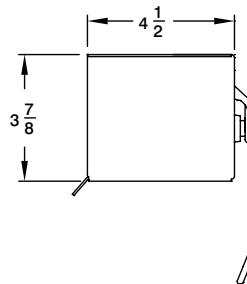
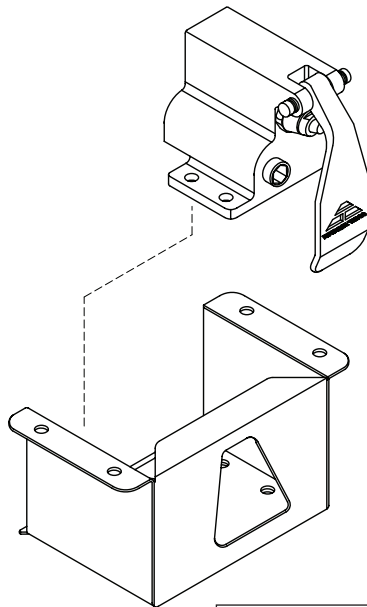


Click This Link To
View Assembly Sheet

DIMENSIONS and SPECIFICATIONS

TOL ± .500"

ALL DIMENSIONS ARE TYPICAL



⚠ WARNING:

Valve on this page may expose you to chemicals, including lead, that are known to the State of California to cause cancer or birth defects or other reproductive harm. For more Info., visit www.p65warnings.ca.gov.