



STAINLESS STEEL
FLUSH-MOUNT MOP SINK

Item #: _____ Qty #: _____
 Model #: _____
 Project #: _____



**9-OP-24FM-SSRL
 Shown**



**Flush-To-Floor
 Design**



**Mop Bucket
 Easily Rolls In**



**2 pc. Removable
 "Subway-Style" Grate**

FEATURES:

- Easy mop bucket roll-in design.
- Standard backsplash with left & right splash, Left splash or right splash available.
- 4" O.D. - 3" Long drain sleeve.
- Anti-splash guards (Front & rear).
- Waste receptacle will accommodate up to a 4" waste pipe.
- Removable perforated stainless steel strainer basket with handle provided.
- Pitched towards waste.
- Includes stainless steel or fiberglass "Subway Style" grating.
- Grating comes in two sections for easy removal for cleaning. Grating is closely spaced between bars to prevent casters from getting trapped.

CONSTRUCTION:

- All TIG welded.
- Welded areas blended to match adjacent surfaces and to a satin finish

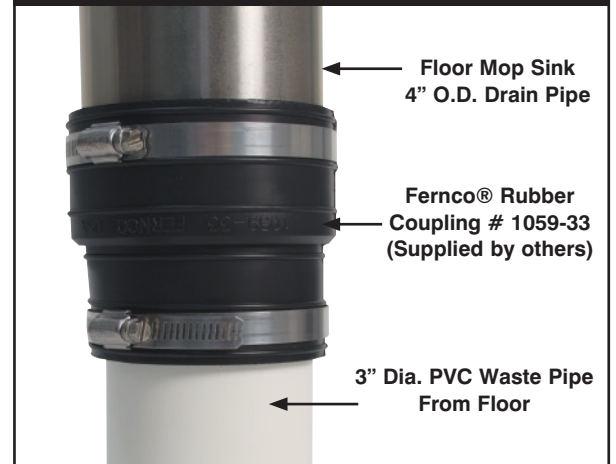
MECHANICAL:

16 Gauge type "304" series stainless steel sink bowl.

GRATING SIZE:

21 3/16" (Left to Right) x 21 3/4" (Front to Back)

**Bottom Drain Assembly Diagram
 FOR NEW CONSTRUCTION ONLY**



| | Model # | Overall Length | Sink Dimension | Splash Location | Approx. Wt. | Approx. Cu. |
|-------------------------------|----------------|----------------|---------------------|--------------------|-------------|-------------|
| STAINLESS STEEL GRATES | 9-OP-24FM-SSRL | 21 3/8" x 24" | 21 3/8" x 22" x 10" | Back, Left & Right | 128 lbs. | 14 |
| | 9-OP-24FM-SSL | 23 3/8" x 24" | 21 3/8" x 22" x 10" | Back & Left | 120 lbs. | 14 |
| | 9-OP-24FM-SSR | 23 3/8" x 24" | 21 3/8" x 22" x 10" | Back & Right | 120 lbs. | 14 |
| FIBERGLASS GRATES | 9-OP-24FM-FGRL | 21 3/8" x 24" | 21 3/8" x 22" x 10" | Back, Left & Right | 96 lbs. | 14 |
| | 9-OP-24FM-FGL | 23 3/8" x 24" | 21 3/8" x 22" x 10" | Back & Left | 88 lbs. | 14 |
| | 9-OP-24FM-FGR | 23 3/8" x 24" | 21 3/8" x 22" x 10" | Back & Right | 88 lbs. | 14 |



Customer Service Available To Assist You 1-800-645-3166 8:30 am - 7:00 pm E.S.T.

For Orders & Customer Service:
 Email: customer@advancetabco.com or Fax: 631-242-6900

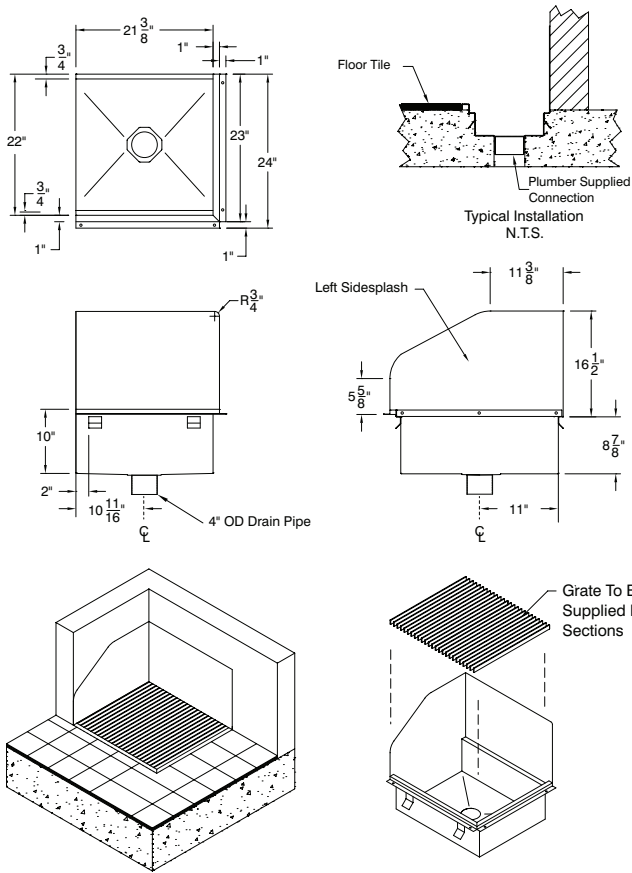
For Smart Fabrication™ Quotes:
 Email: smartfab@advancetabco.com or Fax: 631-586-2933

DIMENSIONS and SPECIFICATIONS

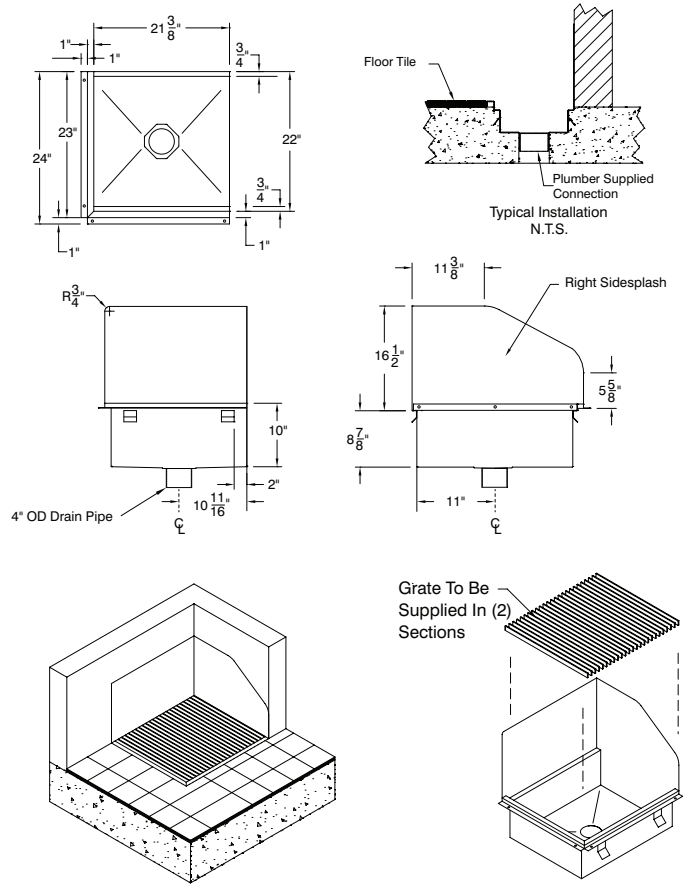
ALL DIMENSIONS ARE TYPICAL

TOL ± .500"

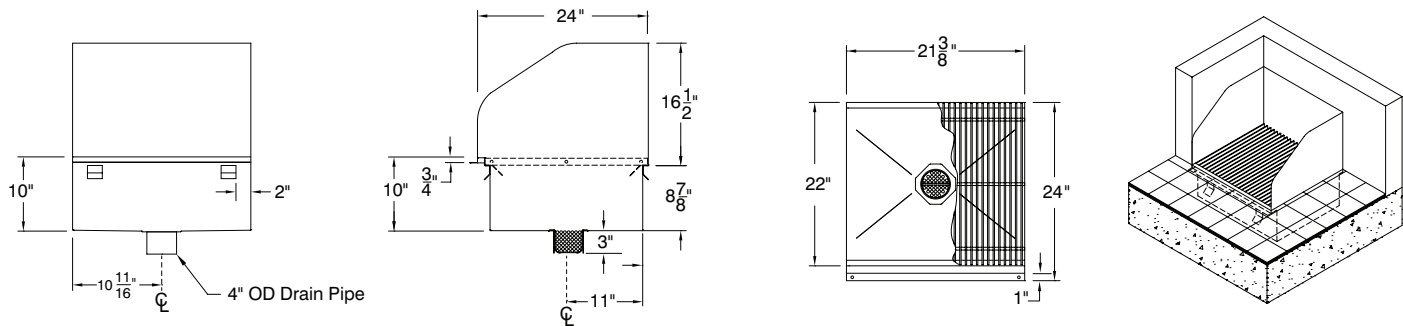
9-OP-24FM-SSL/ 9-OP-24FM-GL Shown



9-OP-24FM-SSR/ 9-OP-24FM-GR Shown



9-OP-24FM-SSRL/ 9-OP-24FM-GRL Shown



Mop Sink Accessories

Service Faucet For Mop Sinks

8" O.C.

K-240



Service Faucet Vacuum Breaker Repair Kit

K-03



Mop Sink Replacement Drain

K-16



Strainer Basket with Handle

FT-2



23" Wide Mop Hanger

K-242



Hose & Hanger

K-244

