

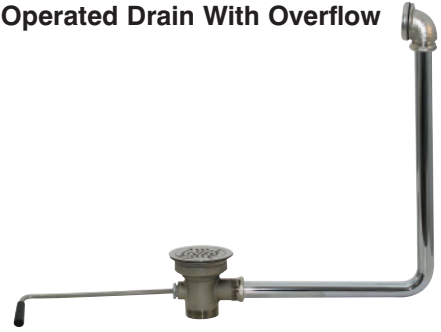
# SINK DRAINS & ACCESSORIES

**Twist Handle Operated Drain**



**K-5**

**Twist Handle Operated Drain With Overflow**



**K-15**

**Lever Operated Drains For Hand Sinks**

**with Overflow**



**K-26**

**No Overflow**



**K-67**

**SPEC-LINE Twist Handle Operated Drain  
All Stainless Steel**



**K-40**

**3-1/2" Basket Drain**



**K-6**

**Replacement  
Drain Basket For K-6**



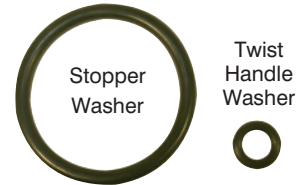
**K-310**

**2" Drain with  
Strainer Plate**



**K-63**

**Replacement "O" Rings  
For Twist Handle Drains  
(For K-5 & K-15 Drains)**



**K-05**

**Twist Drain Support Bracket**



**K-4**

**Replacement Strainer  
For 3-1/2" Drains**



**K-410**

**Replacement Strainer  
For 2" Drains**



**K-411**

**Replacement Washers  
For 3-1/2" Drains  
(Set of 2)**

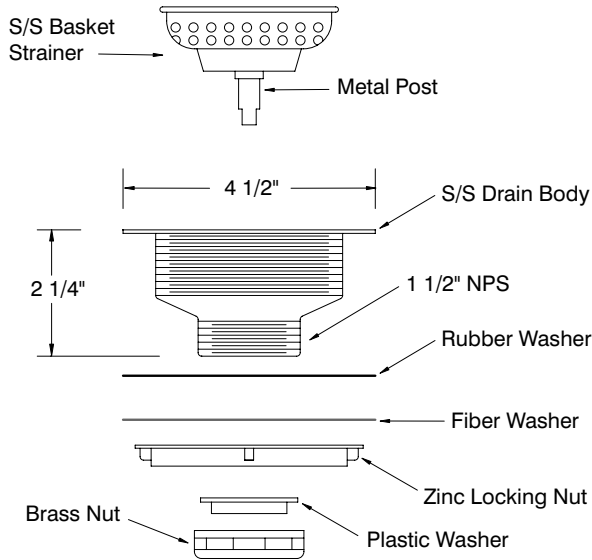


**K-67F**

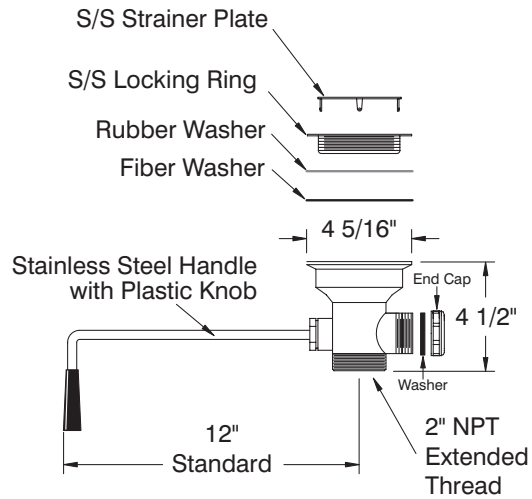
# DIMENSIONS and SPECIFICATIONS

TOL ± .125"

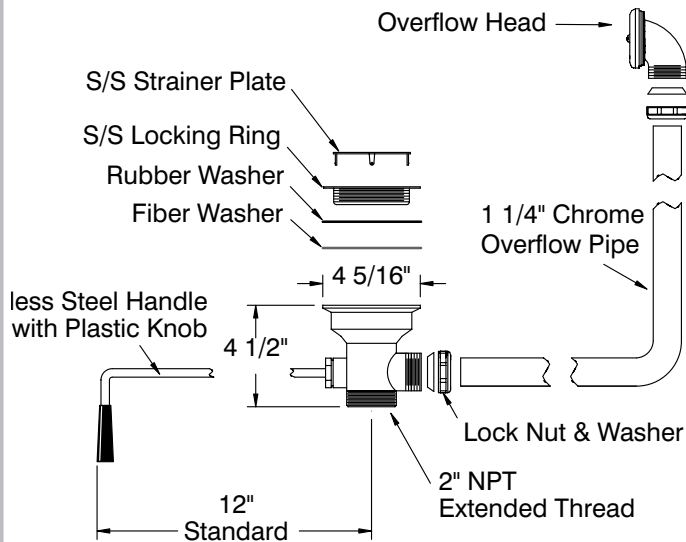
ALL DIMENSIONS ARE TYPICAL



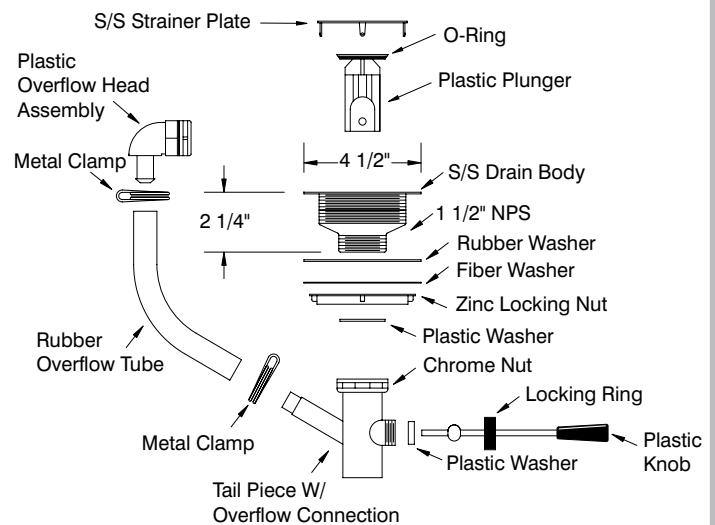
K-6



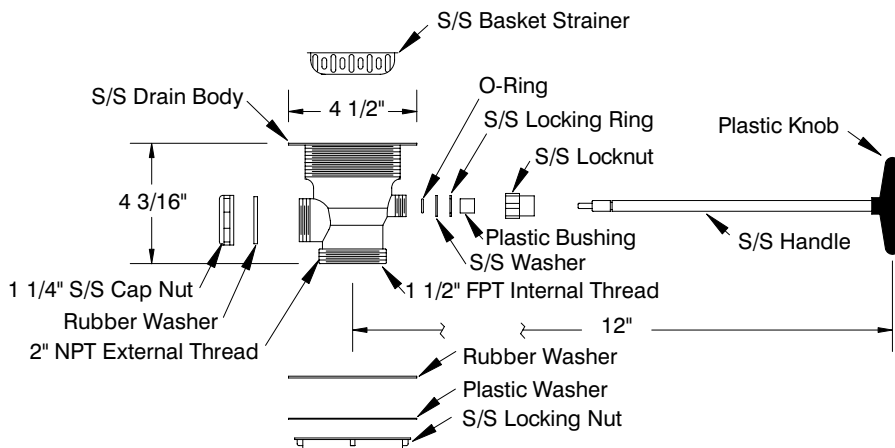
K-5



K-15



K-26 & K-67 For Hand Sinks (K-67 Excludes Overflow)



K-40

