



STAINLESS STEEL

DOUBLE WIDTH MOP SINK CABINET



Item #: _____ Qty #: _____

Model #: _____

Project #: _____



Cabinet Includes Floor Mop Sink

FEATURES:

- Double Width Cabinet
- 16" x 20" x 12" Sink Bowl - (drain included)
- Opening for mop bucket to roll in
- Ventilation Slots
- Hinged Double Doors
- 4 Fixed Intermediate Shelves (3 in storage side, 1 above sink)
- 2 Mop Holders (1 on either side - above mop sink)

CONSTRUCTION:

- All TIG welded.
- Welded areas blended to match adjacent surfaces and to a satin finish.

MATERIAL:

- 16 gauge type "304" Series Sink Bowl
- 18 gauge type "304" Series Sink Bowl Apron

9-OPC-84DR OR 9-OPC-84DL - 18 gauge type "430" Series Stainless Steel Cabinet

9-OPC-84DR-300 OR 9-OPC-84DL-300 - 18 gauge type "300" Series Stainless Steel Cabinet

OPTIONS:

- SU-27** Door Lock
- K-94-SHELF** Fixed Mid-shelf for 84" High Cabinets
- K-94-BACK** Add 430 Stainless Steel Back Panel
- K-94-BACK-300** Add 300 Stainless Steel Back Panel
- K-472** Add 8" O.C. Faucet Holes for Service Faucet (Must provide faucet hole height location)
- K-240** Service Faucet



9-OPC-84DR Shown

Model #	MOP SINK LOCATION
18 Ga. Type 430 Stainless Steel Cabinet	
9-OPC-84DR	Right Side
9-OPC-84DL	Left Side
18 Ga. Type 300 Stainless Steel Cabinet	
9-OPC-84DR-300	Right Side
9-OPC-84DL-300	Left Side



Customer Service Available To Assist You **1-800-645-3166** 8:30 am - 7:00 pm E.S.T.

For Orders & Customer Service:

Email: customer@advancetabco.com or Fax: 631-242-6900

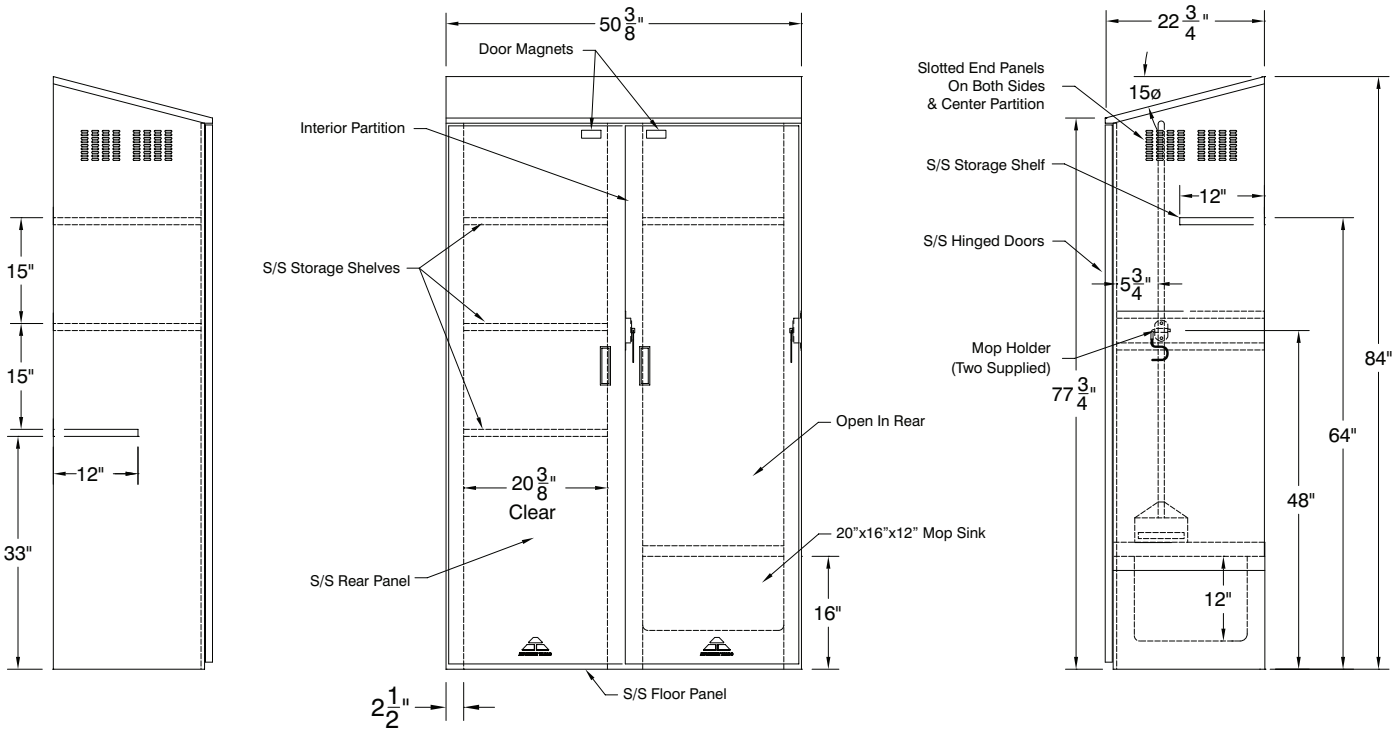
For Smart Fabrication™ Quotes:

Email: smartfab@advancetabco.com or Fax: 631-586-2933

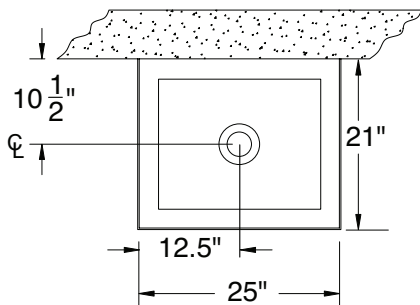
DIMENSIONS and SPECIFICATIONS

ALL DIMENSIONS ARE TYPICAL

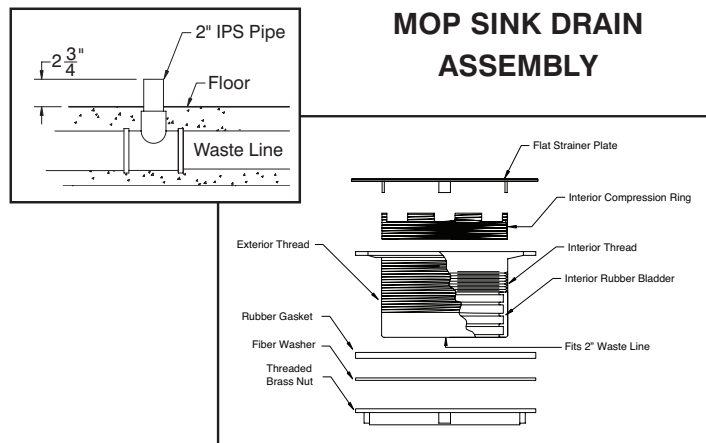
TOL ± .500"



9-OPC-84DR Shown



Mop Sink Detail



MOP SINK DRAIN ASSEMBLY

