



STAINLESS STEEL

# ECONOMY SPACE-SAVER HAND SINKS

## 7-PS-23-EC, 7-PS-23-EC-SP, 7-PS-23-EC-NF & 7-PS-23ECSPNF

Conforms To NSF 61/9 Lead Free Requirements



7-PS-23-EC



7-PS-23-EC-NF



7-PS-23-EC-SP



7-PS-23ECSPNF

Item #: \_\_\_\_\_ Qty #: \_\_\_\_\_

Model #: \_\_\_\_\_

Project #: \_\_\_\_\_

### FEATURES:

**Deep Drawn** sink bowl design.

Sink bowl is 9" x 9" x 5".

Sink bowl has a large liberal radii with a minimum dimension of 2" and are rectangular in design for increased capacity.

Stainless steel 1-1/2" basket drain. 1-1/2" IPS.

4" O.C. economy splash mounted extended lead free compliant faucet, chrome plated & furnished with aerator.

**7-PS-23EC-NF-X** does not include a faucet.

**7-PS-23-EC-SP-1X** Includes 7 3/4" High Welded Side Splashes.

**7-PS-23ECSPNF1X** does not include a faucet.

### CONSTRUCTION:

All TIG welded.

Welded areas blended to match adjacent surfaces and to a satin finish.

Die formed Countertop Edge with a No-Drip offset.

### MATERIAL:

Heavy gauge type 304 series stainless steel.

Wall mounting bracket is Galvanized and of offset design.

All fittings are brass / chrome plated unless otherwise indicated.

### MECHANICAL:

Faucet supply is 1/2" IPS male thread hot and cold.

**Faucet Flow Rate:** 1.0 GPM/3.8 LPM aerator. 60 PSI.

### OPTIONAL:

**K-59-EC-X** - Economy Replacement Splash Mount Gooseneck Faucet

**K-316** - Heavy Duty Faucet with Wrist Handles

### WARNING:

Equipment that includes a faucet may expose you to chemicals, including lead, that are known to the State of California to cause cancer or birth defects or other reproductive harm. For more Info., visit [www.p65warnings.ca.gov](http://www.p65warnings.ca.gov).



Customer Service Available To Assist You **1-800-645-3166** 8:30 am - 7:00 pm E.S.T.

For Orders & Customer Service:

Email: [customer@advancetabco.com](mailto:customer@advancetabco.com) or Fax: 631-242-6900

For Smart Fabrication™ Quotes:

Email: [smartfab@advancetabco.com](mailto:smartfab@advancetabco.com) or Fax: 631-586-2933

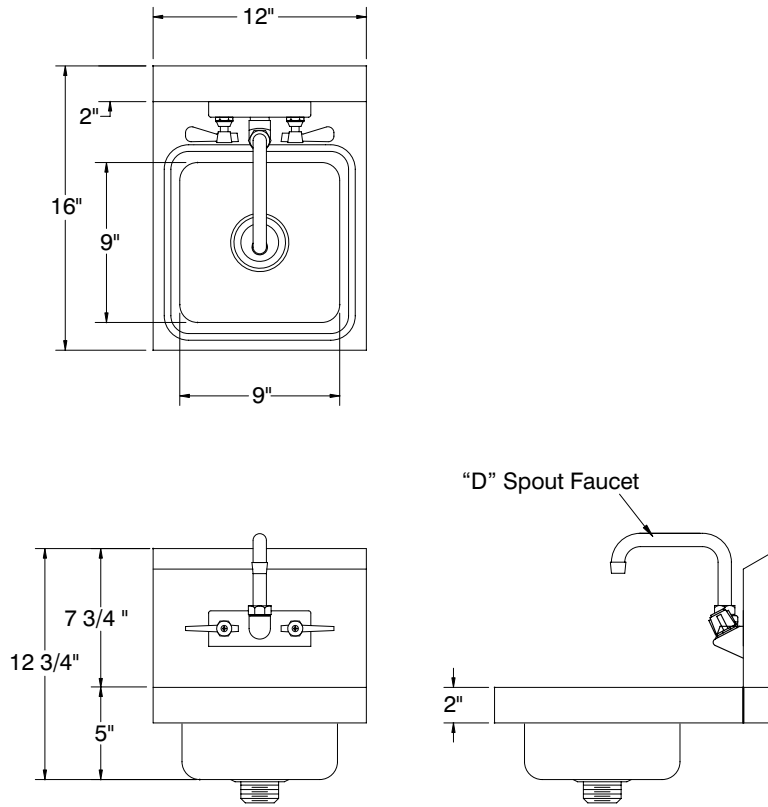
# DIMENSIONS and SPECIFICATIONS

TOL ± .500"

ALL DIMENSIONS ARE TYPICAL

## 7-PS-23-EC

7-PS-23EC-NF Same As  
7-PS-23-EC, Faucet Omitted



## 7-PS-23-EC-SP

7-PS-23ECSPNF Same As  
7-PS-23-EC-SP, Faucet Omitted

