



STAINLESS STEEL

SPECLINE 14 Ga. Fabricated Sinks NSF

Triple Compartments

Item #: _____ Qty #: _____
 Model #: _____
 Project #: _____



Rolled Rim Edge For Additional Strength

FEATURES:

- Full Skirt Design
- Backsplash has tile edge for ease of installation.
- Sink bowls are 3/4" covered corner and meet NSF requirements.
- Rolled Rim Edge for additional strength.
- Sink Bowls are 14" deep for greater capacity.
- Stainless Steel Legs with adjustable stainless steel bullet feet.
- Adjustable front-to-back cross-bracing.

CONSTRUCTION:

- All TIG welded.
- Welded areas blended to match adjacent surfaces and to a satin finish.

MATERIAL:

- 1 5/8" diameter stainless steel legs with 1" adjustable stainless steel bullet feet.
- Entire unit is 14 gauge 304 stainless steel.
- Stainless Steel Gussets.

MECHANICAL:

- Supply is 1/2" IPS hot & cold.
- Faucet holes on 8" centers.
- Faucets are not included (**see accessories**).
- Waste drains are 1 1/2" IPS S/S basket type, located in center of sink bowl, and are included.

| MODEL # | Length L | Width W | Bowl Size A & B | Drbd. Length C | # of Drbds. | Drbd. Location | Wt | Cu. |
|--------------------|----------|---------|-----------------|----------------|-------------|----------------|----------|-----|
| FS-3-1620 | 53" | 26" | 16" x 20" | 0 | 0 | None | 140 lbs | 27 |
| FS-3-1620-18RorL | 68.5" | 26" | | 18" | 1 | Specify | 160 lbs | 35 |
| FS-3-1620-18RL | 84" | 26" | | 18" | 2 | R & L | 155 lbs | 36 |
| FS-3-1620-24RL | 96" | 26" | | 24" | 2 | R & L | 235 lbs | 47 |
| FS-3-1620-36RL | 120" | 26" | | 36" | 2 | R & L | 280 lbs | 59 |
| FS-3-1524 | 50" | 30" | 15" x 24" | 0 | 0 | None | 116 lbs | 31 |
| FS-3-1524-24RorL | 71.5" | 30" | | 24" | 1 | Specify | 139 lbs | 44 |
| FS-3-1524-24RL | 93" | 30" | | 24" | 2 | R & L | 163 lbs | 56 |
| FS-3-1818 | 59" | 24" | 18" x 18" | 0 | 0 | None | 130 lbs | 25 |
| FS-3-1818-18RorL | 74.5" | 24" | | 18" | 1 | Specify | 150 lbs | 31 |
| FS-3-1818-18RL | 90" | 24" | | 18" | 2 | R & L | 170 lbs | 52 |
| FS-3-1824 | 59" | 30" | 18" x 24" | 0 | 0 | None | 158 lbs | 36 |
| FS-3-1824-18RorL | 74.5" | 30" | | 18" | 1 | Specify | 174 lbs | 46 |
| FS-3-1824-24RorL | 80.5" | 30" | | 24" | 1 | Specify | 187 lbs | 49 |
| FS-3-1824-18RL | 90" | 30" | | 18" | 2 | R & L | 310 lbs | 54 |
| FS-3-1824-24RL | 102" | 30" | | 24" | 2 | R & L | 375 lbs | 61 |
| FS-3-2024 | 65" | 30" | 20" x 24" | 0 | 0 | None | 165 lbs | 40 |
| FS-3-2024-24RorL | 86.5" | 30" | | 24" | 1 | Specify | 182 lbs | 52 |
| FS-3-2024-24RL | 108" | 30" | | 24" | 2 | R & L | 198 lbs | 64 |
| † FS-3-2424 | 77" | 30" | 24" x 24" | 0 | 0 | None | 329 lbs | 47 |
| † FS-3-2424-18RorL | 92.5" | 30" | | 18" | 1 | Specify | 353 lbs | 56 |
| † FS-3-2424-24RorL | 98.5" | 30" | | 24" | 1 | Specify | 369 lbs | 59 |
| † FS-3-2424-18RL | 108" | 30" | | 18" | 2 | R & L | 382 lbs | 64 |
| † FS-3-2424-24RL | 120" | 30" | | 24" | 2 | R & L | 405 lbs | 71 |
| † FS-3-2430 | 77" | 36" | 24" x 30" | N/A | 0 | None | 240 lbs. | 38 |
| † FS-3-2430-24RorL | 99" | 36" | | 24" | 1 | Specify | 450 lbs. | 59 |
| † FS-3-2430-30RorL | 105" | 36" | | 30" | 1 | Specify | 510 lbs. | 62 |
| † FS-3-2430-36RorL | 111" | 36" | | 36" | 1 | Specify | 540 lbs. | 66 |
| † FS-3-2430-24RL | 120" | 36" | | 24" | 2 | R & L | 480 lbs. | 81 |
| † FS-3-2430-30RL | 132" | 36" | | 30" | 2 | R & L | 535 lbs. | 86 |
| † FS-3-2430-36RL | 144" | 36" | | 36" | 2 | R & L | 590 lbs. | 93 |
| † FS-3-3024 | 95" | 30" | 30" x 24" | N/A | 0 | None | 240 lbs. | 38 |
| † FS-3-3024-24RorL | 117" | 30" | | 24" | 1 | Specify | 450 lbs. | 59 |
| † FS-3-3024-30RorL | 123" | 30" | | 30" | 1 | Specify | 510 lbs. | 62 |
| † FS-3-3024-36LorR | 129" | 30" | | 36" | 1 | Specify | 540 lbs. | 66 |
| † FS-3-3024-24RL | 138" | 30" | | 24" | 2 | R & L | 480 lbs. | 81 |
| † FS-3-3024-30RL | 150" | 30" | | 30" | 2 | R & L | 535 lbs. | 86 |
| † FS-3-3024-36RL | 162" | 30" | | 36" | 2 | R & L | 590 lbs. | 93 |
| † FS-3-3030 | 95" | 36" | 30" x 30" | N/A | 0 | None | 290 lbs. | 43 |
| † FS-3-3030-24RL | 138" | 36" | | 24" | 2 | R & L | 565 lbs. | 43 |
| † FS-3-3030-30RL | 150" | 36" | | 30" | 2 | R & L | 620 lbs. | 78 |
| † FS-3-3030-36RL | 162" | 36" | | 36" | 2 | R & L | 680 lbs. | 86 |

† Requires Two Faucets



Customer Service Available To Assist You 1-800-645-3166 8:30 am - 7:00 pm E.S.T.

For Orders & Customer Service:

Email: customer@advancetabco.com or Fax: 631-242-6900

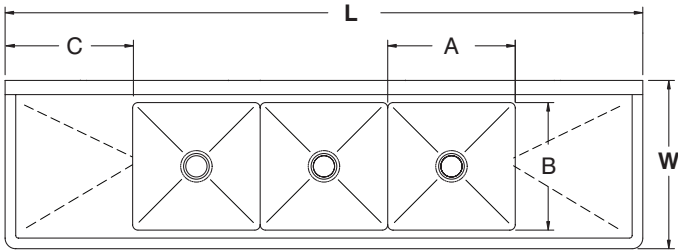
For Smart Fabrication™ Quotes:

Email: smartfab@advancetabco.com or Fax: 631-586-2933

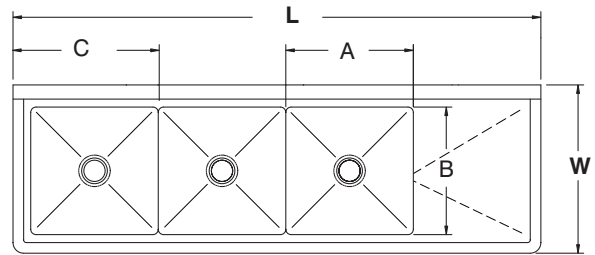
DIMENSIONS and SPECIFICATIONS

TOL Overall: $\pm .500''$
 Interior: $\pm .250''$

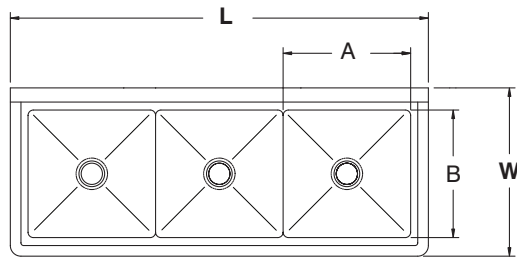
ALL DIMENSIONS ARE TYPICAL



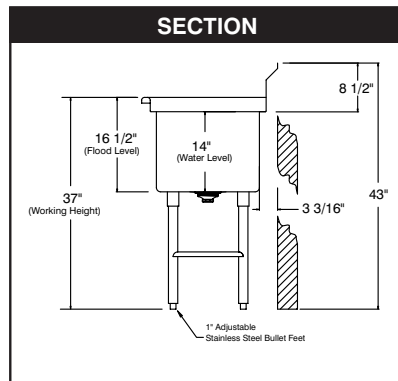
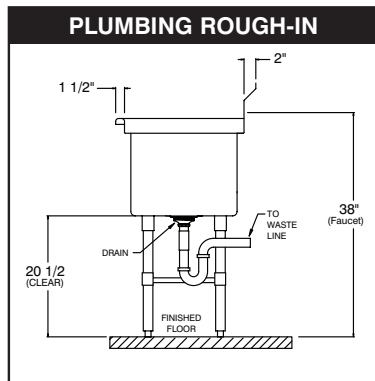
3 COMP - 2 DRBD



3 COMP - 1 DRBD



3 COMP - NO DRBDS



ACCESSORIES

| | Model # | Qty |
|---------|---------|-----|
| DRAINS | | |
| FAUCETS | | |
| | | |

OPTIONAL MODIFICATIONS:

| | |
|--------------|---|
| K-450 | Extend Drainboard Length <i>(Drainboards over 36" Are Not Creased or Pitched.)</i> |
| K-470 | Modify Bowl Depth |

[See our full line of Modifications & Accessories on the web!](#)

