



STAINLESS STEEL

FABRICATED FLOOR MOP SINKS

Item #: _____ Qty #: _____
 Model #: _____
 Project #: _____



Standard Mop Sink
9-OP-20 Shown



Drop Front Mop Sink
9-OP-40DF Shown



Notched Out Front Allows Ease of Emptying Mop Bucket



Fabricated Bowls are Welded Together at the Seams

* NSF Compliant

FEATURES:

Floor mounted unit eliminates the need of lifting heavy containers.
 Tile edge furnished on the rear.
 Bowls rectangular in design for increased capacity.
K-16 3-1/2" Free Flow Drain. Connects to a 2" drain pipe.
-DF models feature a notched out front which allows for ease of emptying mop bucket).

CONSTRUCTION:

All TIG welded.
 Welded areas blended to match adjacent surfaces and to a satin finish.

MATERIAL:

16 Gauge type "304" series stainless steel sink bowl & Apron.

	Model #	Bowl Size (A x B x C)	O.A. Dimension (W x L x H)	Drain Distance (E)	Drain Distance (F)	Approx. Wt.	Approx. Cu.
STANDARD	9-OP-20*	16" x 20" x 6"	21" x 25" x 10"	10-1/2"	12-1/2"	33 lbs.	4
	9-OP-28*	20" x 28" x 6"	25" x 33" x 10"	12-1/2"	16-1/2"	47 lbs.	7
	9-OP-40*	16" x 20" x 12"	21" x 25" x 16"	10-1/2"	12-1/2"	45 lbs.	6
	9-OP-48*	20" x 28" x 12"	25" x 33" x 16"	12-1/2"	16-1/2"	62 lbs.	9
LARGE BOWL	9-OP-44	24" x 24" x 12"	29" x 29" x 16"	14-1/2"	14-1/2"	70 lbs.	9
	9-OP-33	24" x 36" x 12"	29" x 41" x 16"	14-1/2"	20-1/2"	80 lbs.	12
	9-OP-34	24" x 48" x 12"	29" x 53" x 16"	14-1/2"	26-1/2"	90 lbs.	15
DROP FRONT	9-OP-40DF	16" x 20" x 12"	18-1/2" x 25" x 16"	10-1/2"	12-1/2"	85 lbs.	9
	9-OP-48DF	20" x 28" x 12"	22-1/2" x 33" x 16"	12-1/2"	16-1/2"	110 lbs.	15

MOP SINK ACCESSORIES

16" High Side & Back Splashes for 9-OP Series Mop Sinks

Splashes on All 3 Sides

Model #	Fits Units:	Model #	Fits Units:
K-298	9-OP-20 9-OP-40	K-298D	9-OP-40DF
K-299	9-OP-28 9-OP-48	K-299D	9-OP-48DF
K-300	9-OP-44	-	-
K-303	9-OP-33	-	-
K-304	9-OP-34	-	-

Splash on Left or Right & Back

Model #	Fits Units:	Model #	Fits Units:
K-288LorR	9-OP-20 9-OP-40	K-288LDorRD	9-OP-40DF
K-290LorR	9-OP-28 9-OP-48	K-290LDorRD	9-OP-48DF
K-291LorR	9-OP-44	-	-
K-293LorR	9-OP-33	-	-
K-294LorR	9-OP-34	-	-



Left & Right Splashes Shown

Height Above Finished Floor (A.F.F.)

9-OP-20/9-OP-28 = 26" High 9-OP-40/9-OP-40DF/9-OP-44/9-OP-48/9-OP-48DF = 32" High

- K-16** Replacement drain for floor mop sinks
- K-240** Service Faucet*
- K-242** 23" wide mop hanger
- K-243** Stainless steel mop drainage tray
- K-244** Hose and hanger
- K-245** 8" x 24" utility shelf
- K-246** 8" x 36" utility shelf

*Does not meet Federal Lead Free Standards as it is not intended for potable water.



Customer Service Available To Assist You 1-800-645-3166 8:30 am - 7:00 pm E.S.T.

For Orders & Customer Service:

Email: customer@advancetabco.com or Fax: 631-242-6900

For Smart Fabrication™ Quotes:

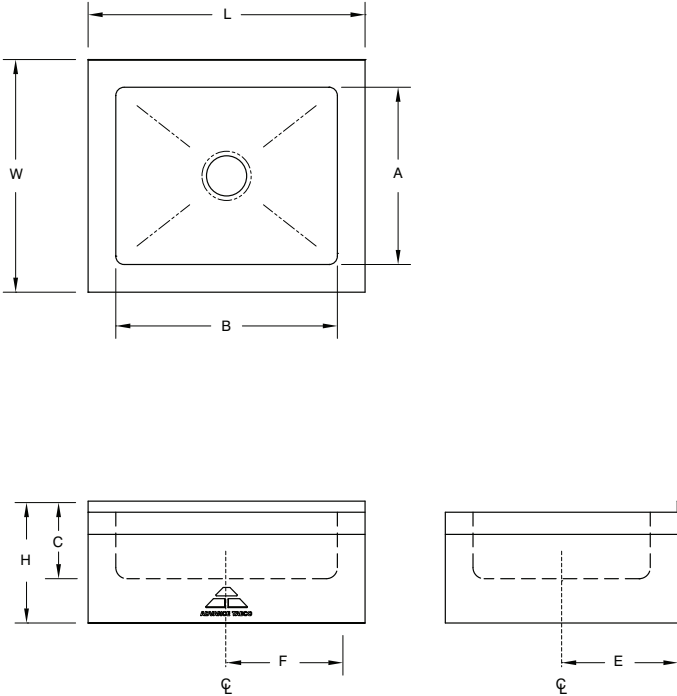
Email: smartfab@advancetabco.com or Fax: 631-586-2933

DIMENSIONS and SPECIFICATIONS

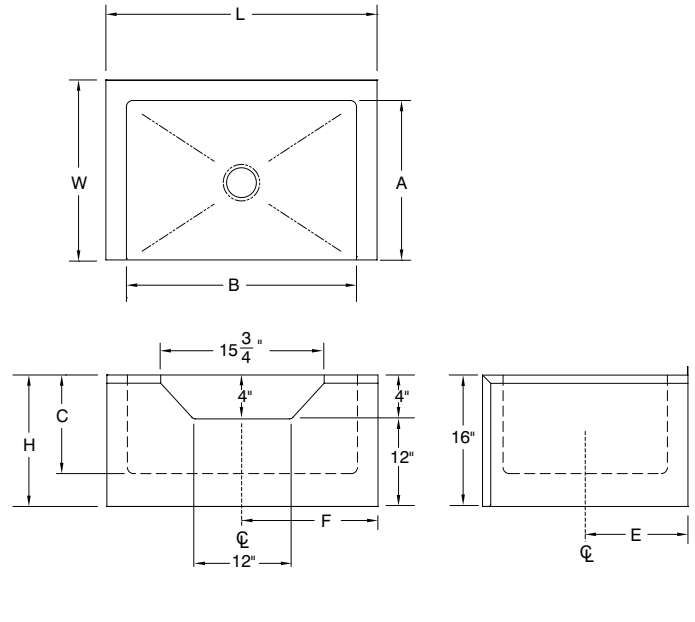
TOL Overall: $\pm .500''$
 Interior: $\pm .250''$

ALL DIMENSIONS ARE TYPICAL

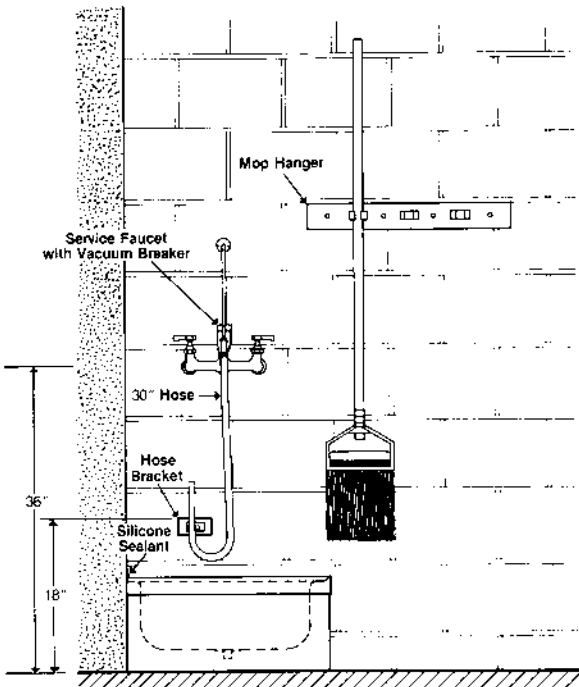
STANDARD MOP SINK



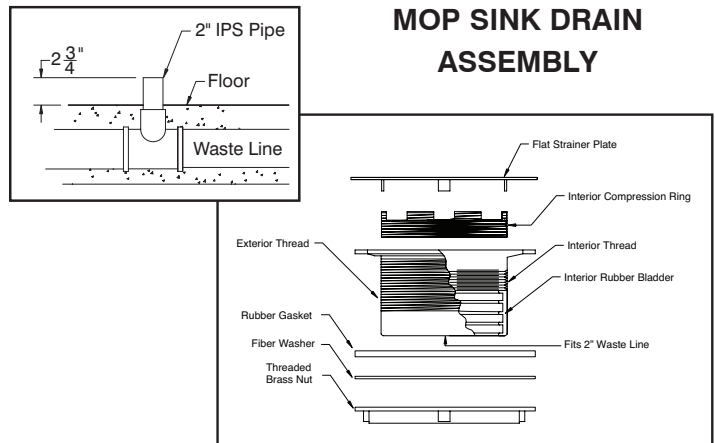
DROP FRONT MOP SINK



SUGGESTED INSTALLATION



MOP SINK DRAIN ASSEMBLY



K-243 MOP DRAINAGE TRAY

13 lbs.

