



16 GAUGE STAINLESS STEEL

# ONE STATION FLOOR MOUNTED SERVICE SINK WITH TUBULAR LEGS & CROSS BRACING

## WITH/WITHOUT MANUAL FAUCET



Manual Operated Shown  
(Faucet Not Included)



"-F" Series Sink Includes  
K-159  
Gooseneck Faucets

Item #: \_\_\_\_\_ Qty #: \_\_\_\_\_  
 Model #: \_\_\_\_\_  
 Project #: \_\_\_\_\_



### FEATURES:

- 8 1/2" high backsplash.
- 12" sink bowl depth.
- One stainless steel "Z" bracket.
- One **K-6** 3 1/2" rear basket drain.
- Tubular stainless steel legs with flanged feet.
- Side & rear adjustable cross-bracing with leg clamps.

**Manual Operated:** Faucets sold separately.  
**"-F" Series** includes one **K-159** 3 1/2" gooseneck faucet.

### CONSTRUCTION:

All TIG welded.  
 Welded areas blended to match adjacent surfaces and to a satin finish.

### MATERIAL:

All 16 gauge type "304" stainless steel.  
 1 5/8" tubular "304" stainless steel legs & cross-bracing.  
 Stainless steel gussets.

### MECHANICAL:

8" O.C. faucet holes punched.

Model #	Length	# of Faucets Sink Accommodates	# of Faucets Included	Wt.	Cu. Ft.
WSS-14-21-FM	18"	1	0 (Faucets <u>Not</u> Included)	42 lbs.	11
WSS-14-21-FM-F	18"	1	1 (K-159 Faucets Included)	44 lbs.	11

[Click Here For Install Guide](#)



## MULTI-STATION ACCESSORIES & REPLACEMENT PARTS

Model	Description	QTY:
K-6	3 1/2" Drain (1 1/2" I.P.S.)	_____
K-13	Stainless Steel Soap Dispenser (Wall Mount Only)	_____
K-06	Splash Mount Faucet Mounting Kit	_____
K-101	8" Swing Spout Splash Mt. Faucet	_____
K-159	Splash Mounted 3-1/2" Gooseneck Faucet (8" O.C.)	_____
K-160	Splash Mounted 6" Swivel Spout Faucet (8" O.C.)	_____
K-411	Strainer Plate for 3-1/2" Drain	_____
K-1118	Extra H.D. 8" Splash Mounted Faucet	_____
K-316-LU	Wrist Handles	_____
K-472	Faucet Hole Revision (Manual Faucet Operated Sinks Only)	_____
K-508	Special Sizing Charge (Larger Size Cut Down To Smaller Size)	_____
TA-19	Adjustable Stainless Steel Flanged Bullet Foot	_____



= Ships UPS

Standard Faucets conform to NSF 61 Standard 9 and compliance to AB 1953 Standards.

**WARNING:** Equipment that include faucets on this page may contain a chemical known to the State of California to cause cancer, birth defects or other reproductive harm.



Customer Service Available To Assist You **1-800-645-3166** 8:30 am - 7:00 pm E.S.T.

For Orders & Customer Service:

Email: [customer@advancetabco.com](mailto:customer@advancetabco.com) or Fax: 631-242-6900

For Smart Fabrication™ Quotes:

Email: [smartfab@advancetabco.com](mailto:smartfab@advancetabco.com) or Fax: 631-586-2933

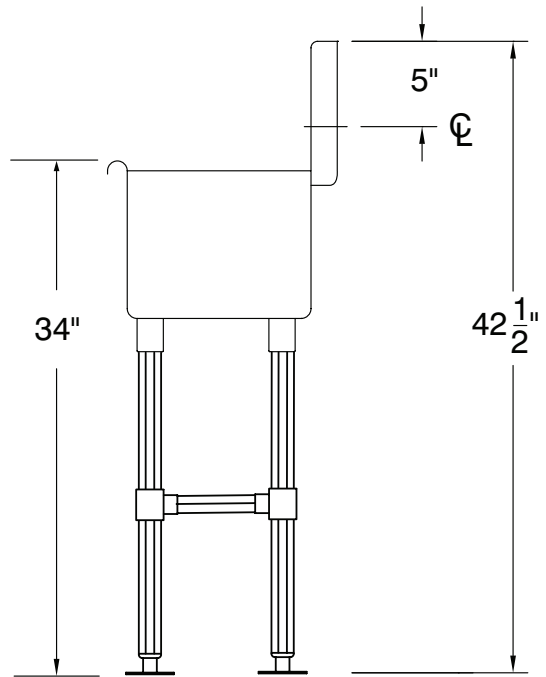
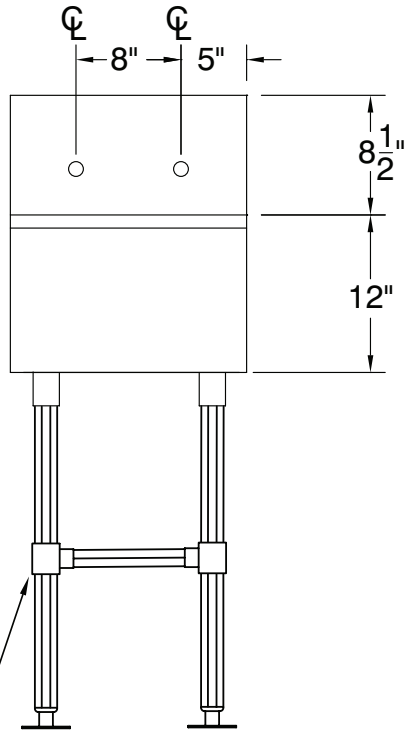
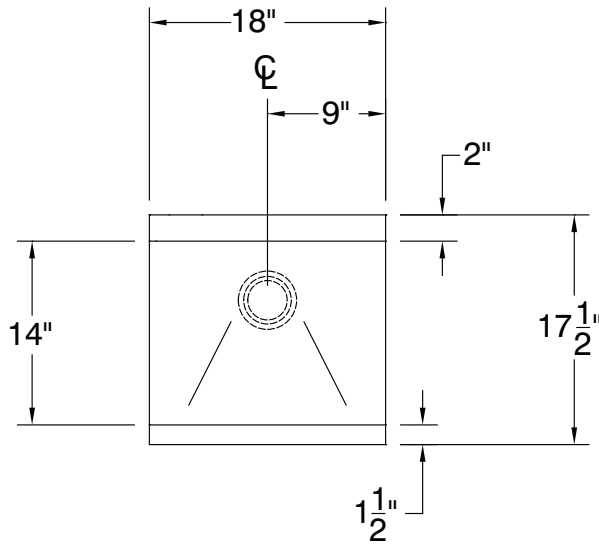
# DETAILS and SPECIFICATIONS

TOL ± .500"

FITTINGS SUPPLIED AS SHOWN

ALL DIMENSIONS ARE TYPICAL

WSS-14-21-FM



42 Lbs.

