



**PRESTIGE**  
Signature Series

# Blender Station w/ Deep Drawn Sink 25" and 30" Wide Units

Item #:	_____	Qty #:	_____
Model #:	_____		
Project #:	_____		



**PRRS-19 Series**  
25" Wide Units With A  
Splash Mount Faucet



**PRRS-24 Series**  
30" Wide Units With A  
Deck Mount Faucet



**Deep Drawn  
Seamless Sink Bowl**



**15A - 120V GFI Duplex  
Receptacle Hidden Beneath  
Blender Shelf**

**FEATURES:**

- One piece recessed **Deep Drawn** sink
- Recessed blender shelf with grommet hole
- 15A - 120V electrical GFI duplex outlet hidden beneath shelf for blenders.
- Sound deadened
- Stainless steel top, apron, sides and legs with 1" adjustable stainless steel bullet feet
- Adjustable side cross-bracing
- 7" backsplash
- PRRS-24 Series** has rear deck for extra storage

**MECHANICAL:**

- PRRS-19 Series:** Includes K-125 splash mount faucet
- PRRS-24 Series:** Includes K-51 deck mount faucet
- All faucets meet federal lead free standards**
- 1 1/2" IPS Outlet Drain
- 15A - 120V duplex receptacle

**OPTIONAL:**

- A-15** - Chrome towel ring (packed loose)
- K-316-LU** - Add wrist handles
- SU-24** - Connect underbar equipment

**MATERIAL:**

- 20 gauge, 300 stainless steel
- Blender Shelf Sides:** 14 gauge, 300 stainless steel
- Legs:** 1 5/8" O.D. 18 gauge, 300 stainless steel with 1" adjustable stainless steel bullet feet

**Conforms To NSF 61/9 Lead Free Requirements**

25" WIDE Model #	Bowl Size	Approx. Weight	Approx. Cu. Ft.	30" WIDE Model #	Bowl Size	Approx. Weight	Approx. Cu. Ft.	Overall Length (L)
PRRS-19-12	9"x 9"x 4"	49 lbs.	9	PRRS-24-12	9"x 9"x 4"	51 lbs.	9	12"
PRRS-19-18	10"x 14"x 7"	56 lbs.	9	PRRS-24-18	10"x 14"x 7"	58 lbs.	12	18"

**NOTE:** Blender Stations Can Not Accommodate A Speed Rail

**WARNING:** Equipment that include faucets on this page may contain a chemical known to the State of California to cause cancer, birth defects or other reproductive harm.



**Customer Service Available To Assist You 1-800-645-3166 8:30 am - 7:00 pm E.S.T.**

For Orders & Customer Service:  
Email: customer@advancetabco.com or Fax: 631-242-6900

For Smart Fabrication™ Quotes:  
Email: smartfab@advancetabco.com or Fax: 631-586-2933

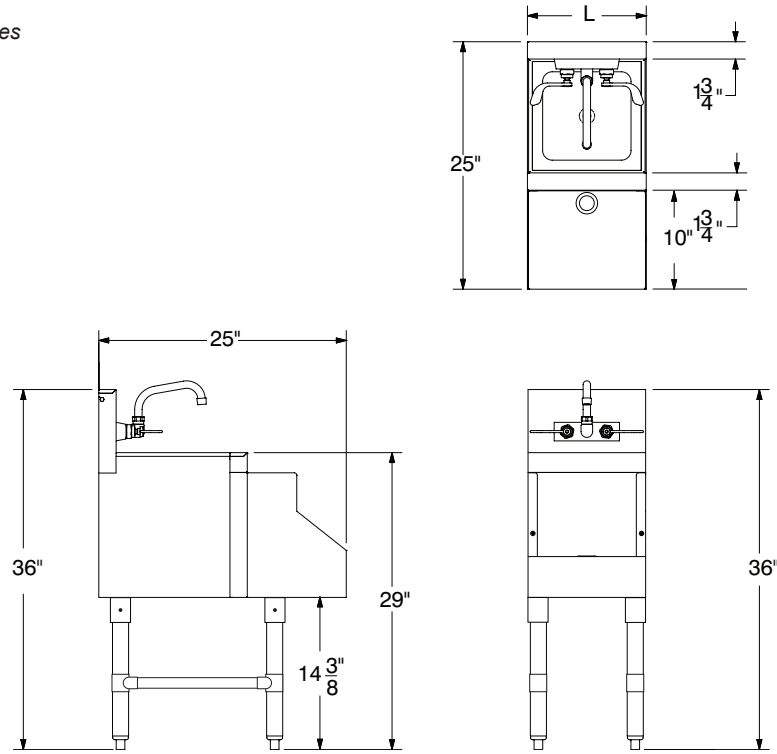
# DIMENSIONS and SPECIFICATIONS

TOL Overall: ± .500" Interior: ± .250"

ALL DIMENSIONS ARE TYPICAL

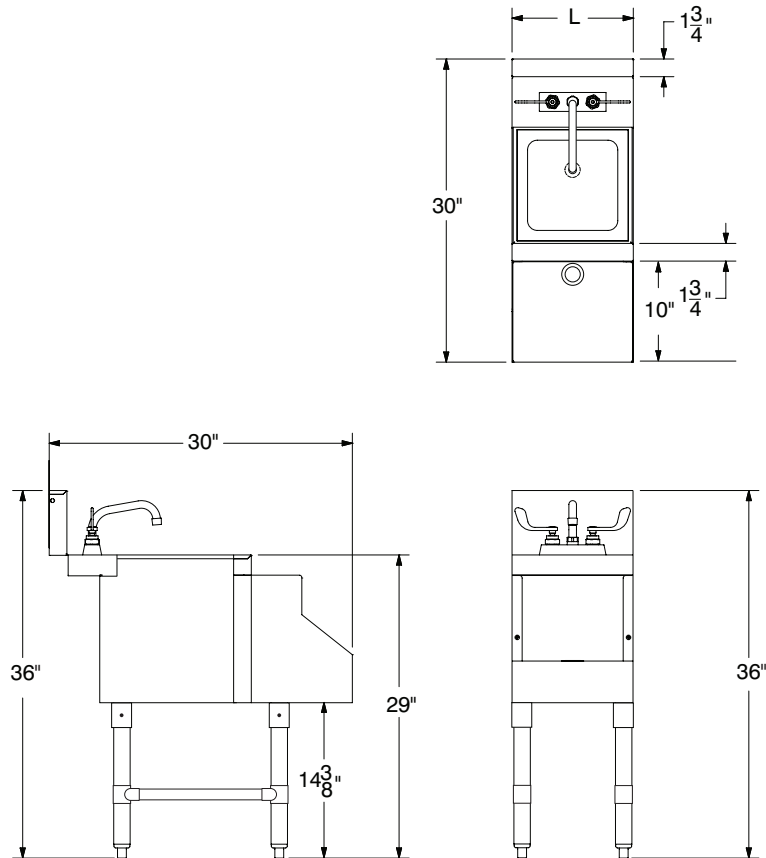
## PRRS-19 Series

Shown with optional wrist handles



## PRRS-24 Series

Shown with optional wrist handles



ADVANCE TABCO is constantly engaged in a program of improving our products. Therefore, we reserve the right to change specifications without prior notice.