



K-63 2" REPLACEMENT DRAIN



Item #: _____ Qty #: _____
 Model #: _____
 Project #: _____

FEATURES:

- 2" drain opening.
- 1 1/2" N.P.S.
- Removable Strainer Plate.

MATERIAL:

- Brass body.
- Stainless Steel Strainer Plate.

Accessories

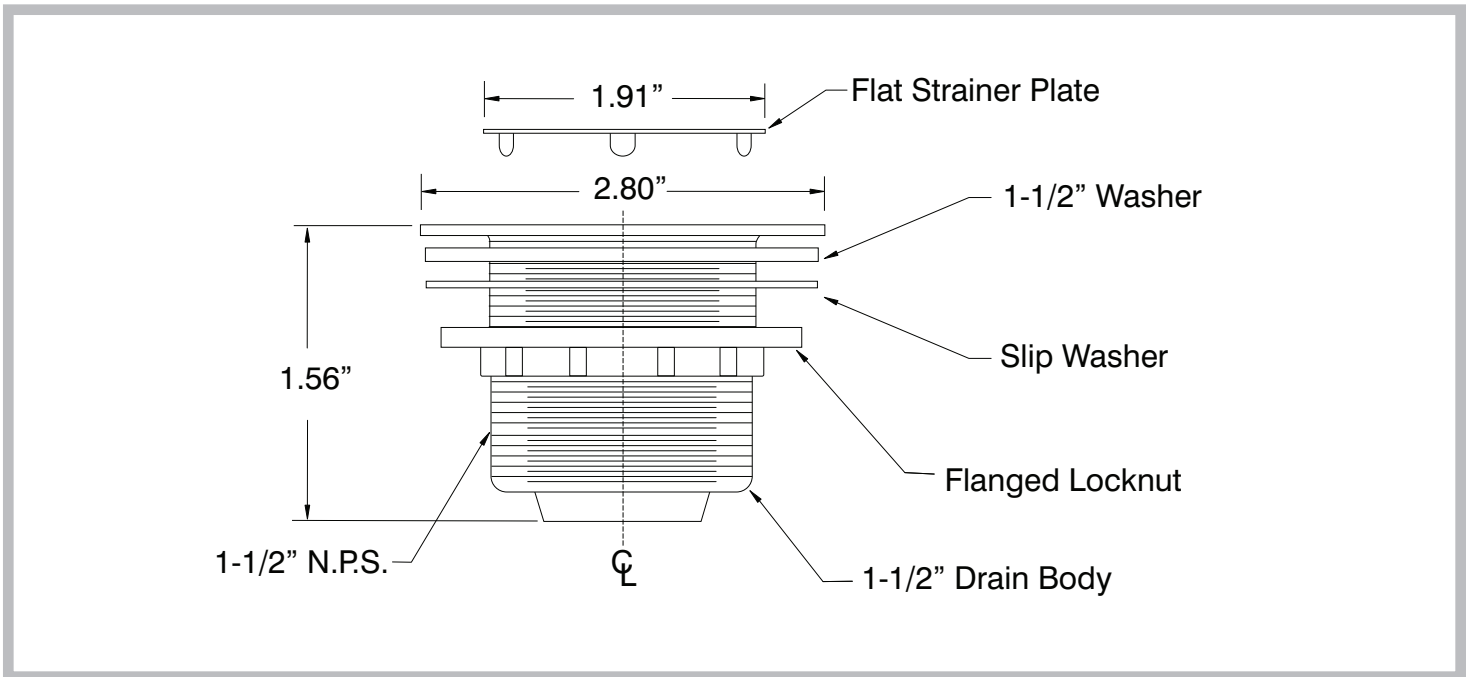
Replacement 2" Strainer Plate

Fits K-63 drain only.

K-411



DIMENSIONS and SPECIFICATIONS



Customer Service Available To Assist You **1-800-645-3166** 8:30 am - 7:00 pm E.S.T.

For Orders & Customer Service:
 Email: customer@advancetabco.com or Fax: 631-242-6900

For Smart Fabrication™ Quotes:
 Email: smartfab@advancetabco.com or Fax: 631-586-2933