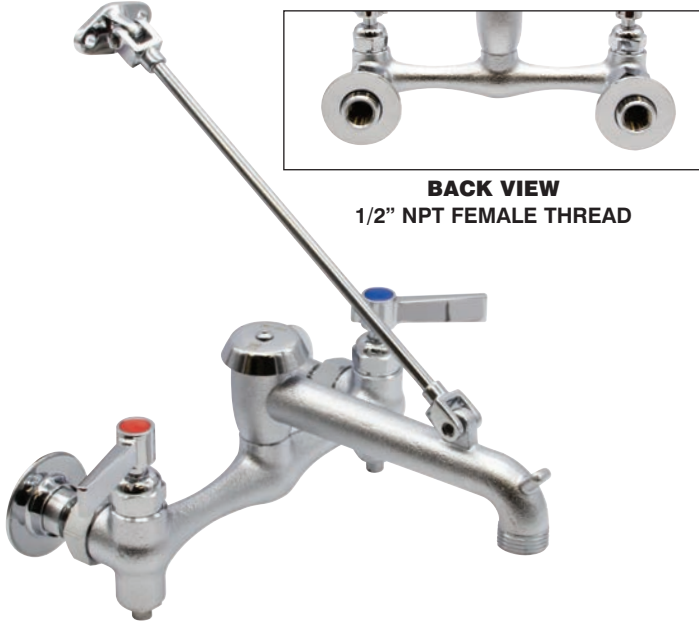




# K-240 SERVICE FAUCET FOR MOP SINKS

Item #: \_\_\_\_\_ Qty #: \_\_\_\_\_  
 Model #: \_\_\_\_\_  
 Project #: \_\_\_\_\_



**BACK VIEW**  
1/2" NPT FEMALE THREAD

**FEATURES:**

- 8" O.C. water supply.
- Quarter turn wedge style handles with colored hot & cold indexes.
- 9.6 GPM/36.3 LPM.
- Wall support bracket & pail hook.
- Vacuum breaker. Built-in stops.
- Garden hose outlet.

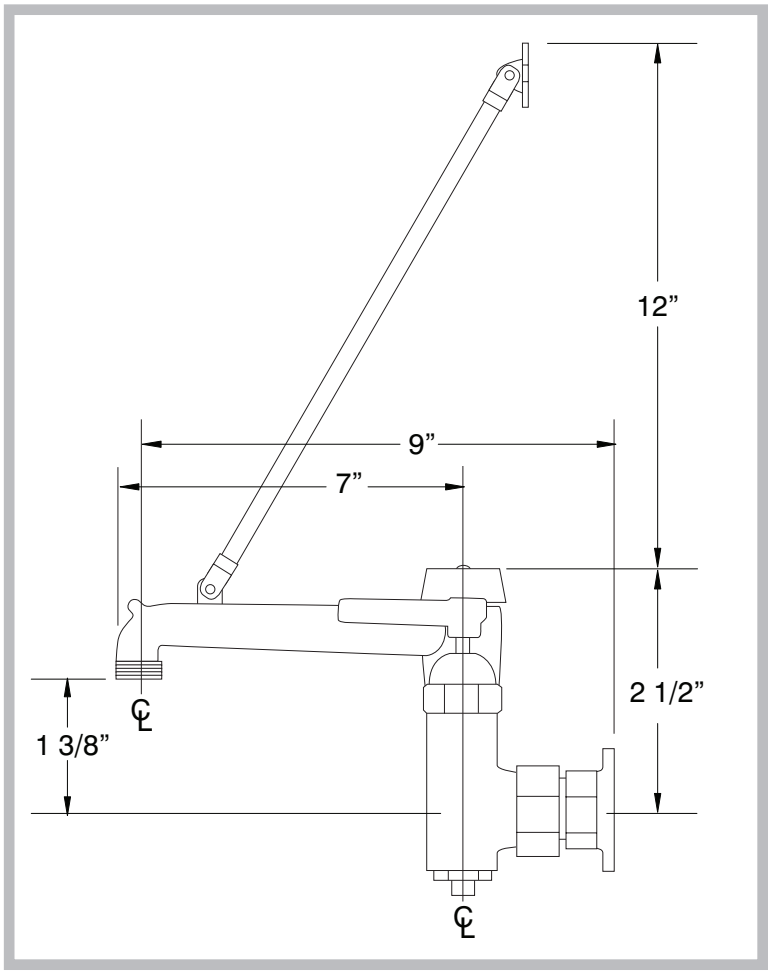
**MATERIAL:**

- Brass chrome plated body & spout.
- Chrome plated handles.



**Click This Link To View Assembly Sheet**

## DIMENSIONS and SPECIFICATIONS



### Options & Accessories

**Replacement Vacuum Breaker Repair Kit For K-240**

**K-03**



**Faucet Repair Kit\* K-00B (Set of 2)**

Includes 2 Cartridges and 2 Handles With Red & Blue Indexes



*\*Can Only Be Used On Faucets Purchased After January 2016. For Older Faucets, Consult Customer Service.*

**⚠ WARNING:**

Faucet(s) on this page may expose you to chemicals, including lead, that are known to the State of California to cause cancer or birth defects or other reproductive harm. For more info, visit [www.p65warnings.ca.gov](http://www.p65warnings.ca.gov).



**Customer Service Available To Assist You 1-800-645-3166 8:30 am - 7:00 pm E.S.T.**

For Orders & Customer Service:

Email: [customer@advancetabco.com](mailto:customer@advancetabco.com) or Fax: 631-242-6900

For Smart Fabrication™ Quotes:

Email: [smartfab@advancetabco.com](mailto:smartfab@advancetabco.com) or Fax: 631-586-2933