



# K-22 LAVATORY FAUCET

Conforms To NSF 61/9 Lead Free Requirements



Item #: \_\_\_\_\_ Qty #: \_\_\_\_\_  
 Model #: \_\_\_\_\_  
 Project #: \_\_\_\_\_

### FEATURES:

- 4" O.C. water supply.
- Wedge style handles.
- Colored hot & cold Indexes.
- 1.0 GPM/3.8 LPM Aerator. 60 PSI.

### MATERIAL:

- Brass chrome plated body & spout.
- Chrome plated handles.



[Click This Link To View Assembly Sheet](#)

**FAUCET AERATOR CONFORM TO  
 ASTM.A112.18.1M • 1.0 GPM/3.8 LP  
 THREAD: 55/64 - 27 FEMALE**

## Options & Accessories

### Low Flow Aerator

.5 GPM

**K-08**



### Faucet Repair Kit\*

**K-00B (Set of 2)**

Includes 2 Cartridges and 2 Handles  
 With Red & Blue Indexes



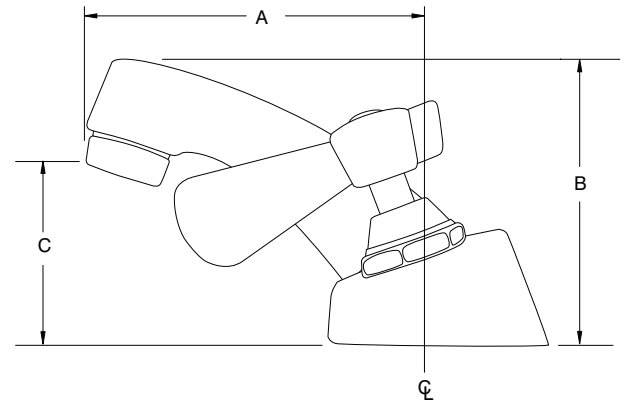
### Wrist Handles\*

**K-316-LU (Set of 2)**



*\*Can Only Be Used On Faucets Purchased After January 2016.  
 For Older Faucets, Consult Customer Service.*

## DIMENSIONS and SPECIFICATIONS



A Length	B Height	C On Center Dimensions	On Center Dimensions
3 1/2"	3"	2"	4" O.C.

### **WARNING:**

Faucet(s) on this page may expose you to chemicals, including lead, that are known to the State of California to cause cancer or birth defects or other reproductive harm. For more Info., visit [www.p65warnings.ca.gov](http://www.p65warnings.ca.gov).



**Customer Service Available To Assist You 1-800-645-3166 8:30 am - 7:00 pm E.S.T.**

For Orders & Customer Service:

Email: [customer@advancetabco.com](mailto:customer@advancetabco.com) or Fax: 631-242-6900

For Smart Fabrication™ Quotes:

Email: [smartfab@advancetabco.com](mailto:smartfab@advancetabco.com) or Fax: 631-586-2933