



14 GAUGE STAINLESS STEEL

# TWO STATION WALL MOUNTED SINK WITH TUBULAR SUPPORTS

## ELECTRONIC OPERATED



K-175 Electronic Faucets Included On All "EF" Models

Item #: \_\_\_\_\_ Qty #: \_\_\_\_\_  
 Model #: \_\_\_\_\_  
 Project #: \_\_\_\_\_



**FEATURES:**

- 8 1/2" high backsplash.
- 8" sink bowl depth.
- Two stainless steel "Z" brackets supplied each unit.
- One K-6 3 1/2" rear basket drain.
- Two tubular stainless steel support brackets that allow full clearance underneath.

**Electronic Operated:** Includes two K-175 Electronic Faucets.

**CONSTRUCTION:**

- All TIG welded.
- Welded areas blended to match adjacent surfaces and to a satin finish.
- Die formed tubular wall brackets.

**MATERIAL:**

- All 14 gauge type "304" stainless steel.
- 1 5/8" tubular "304" stainless steel wall brackets.
- Stainless steel gussets.

**MECHANICAL:**

Single faucet hole punch at each station.

Model #	Length	# of Faucets	# of Wall Supports	Wt.	Cu. Ft.
FS-WM-40EF	40"	2	2	65 lbs.	15

[Click Here For Install Guide](#)



### MULTI-STATION ACCESSORIES & REPLACEMENT PARTS

Model	Description	QTY:
K-6	3 1/2" Drain (1 1/2" I.P.S.)	_____
K-06	Splash Mount Faucet Mounting Kit	_____
K-13	Stainless Steel Soap Dispenser (Wall Mount Only)	_____
K-175	Single Hole, Splash Mounted 3-1/2" Electronic Faucet	_____
K-411	Strainer Plate for 3-1/2" Drain	_____
K-508	Special Sizing Charge ( <i>Larger Size Cut Down To Smaller Size</i> )	_____
TA-19	Adjustable Stainless Steel Wall Mount Flange	_____



= Ships UPS

Standard Faucets conform to NSF 61 Standard 9 and compliance to AB 1953 Standards.

**WARNING:** Equipment that include faucets on this page may contain a chemical known to the State of California to cause cancer, birth defects or other reproductive harm.



Customer Service Available To Assist You 1-800-645-3166 8:30 am - 7:00 pm E.S.T.

For Orders & Customer Service:

Email: [customer@advancetabco.com](mailto:customer@advancetabco.com) or Fax: 631-242-6900

For Smart Fabrication™ Quotes:

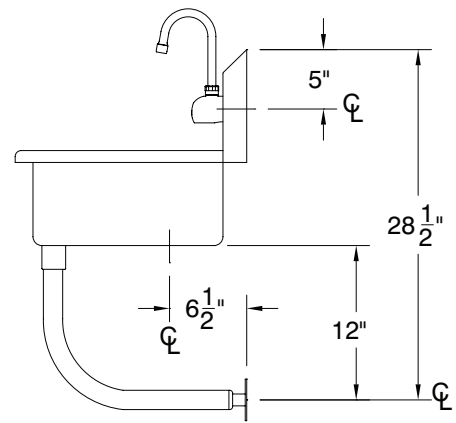
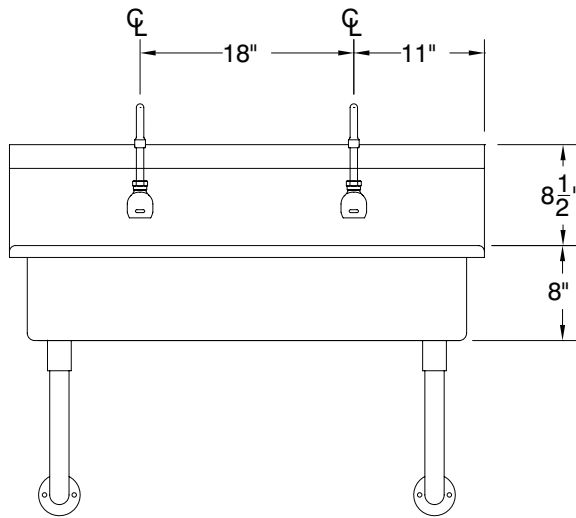
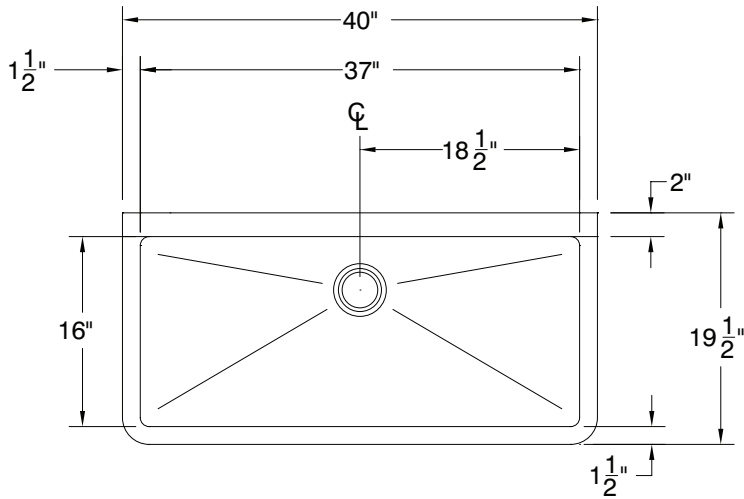
Email: [smartfab@advancetabco.com](mailto:smartfab@advancetabco.com) or Fax: 631-586-2933

# DETAILS and SPECIFICATIONS

TOL  $\pm$  .500"

ALL DIMENSIONS ARE TYPICAL

FS-WM-40EF



65 Lbs.

