



14 GAUGE STAINLESS STEEL

# THREE STATION FLOOR MOUNTED SINK WITH TUBULAR LEGS TOE-PUSH OPERATED



Foot Valves Included On All "FV" Models

Item #: \_\_\_\_\_ Qty #: \_\_\_\_\_  
 Model #: \_\_\_\_\_  
 Project #: \_\_\_\_\_



**FEATURES:**

- 8 1/2" high backsplash.
- 8" sink bowl depth.
- Two stainless steel "Z" brackets supplied each unit.
- One **K-6** 3 1/2" rear basket drain.
- Tubular stainless steel legs with flanged feet.
- One stainless steel support shelf with rear turn-up.
- Toe-Push Operated:** Includes three **K-104** toe-push valves & three **K-121** spouts.

**CONSTRUCTION:**

All TIG welded.  
 Welded areas blended to match adjacent surfaces and to a satin finish.

**MATERIAL:**

All 14 gauge type "304" stainless steel.  
 1 5/8" tubular "304" stainless steel legs.  
 Stainless steel gussets.

**MECHANICAL:**

Single faucet hole punch at each station.

| Model #    | Length | # of Spouts | # of Pedals | Wt.      | Cu.Ft. |
|------------|--------|-------------|-------------|----------|--------|
| FS-FM-60FV | 60"    | 3           | 3           | 140 lbs. | 30     |

[Click Here For Install Guide](#)



## MULTI-STATION ACCESSORIES & REPLACEMENT PARTS

| Model | Description   | QTY:  |
|-------|---|-------|
| K-6   | 3 1/2" Drain (1 1/2" I.P.S.)  | _____ |
| K-06  | Splash Mount Faucet Mounting Kit                                      | _____ |
| K-13  | Stainless Steel Soap Dispenser (Wall Mount Only)                      | _____ |
| K-104 | Toe-Push Valve Assembly   | _____ |
| K-121 | Single Hole, Splash Mounted 3-1/2" Gooseneck Spout                    | _____ |
| K-411 | Strainer Plate for 3-1/2" Drain                                       | _____ |
| K-508 | Special Sizing Charge ( <i>Larger Size Cut Down To Smaller Size</i> ) | _____ |
| TA-19 | Adjustable Stainless Steel Flanged Bullet Foot                        | _____ |



K-121



K-104



K-13



K-411



TA-19

K-06

= Ships UPS

Standard Faucets conform to NSF 61 Standard 9 and compliance to AB 1953 Standards.

**WARNING:** Equipment that include faucets on this page may contain a chemical known to the State of California to cause cancer, birth defects or other reproductive harm.



Customer Service Available To Assist You **1-800-645-3166** 8:30 am - 7:00 pm E.S.T.

For Orders & Customer Service:

Email: [customer@advancetabco.com](mailto:customer@advancetabco.com) or Fax: 631-242-6900

For Smart Fabrication™ Quotes:

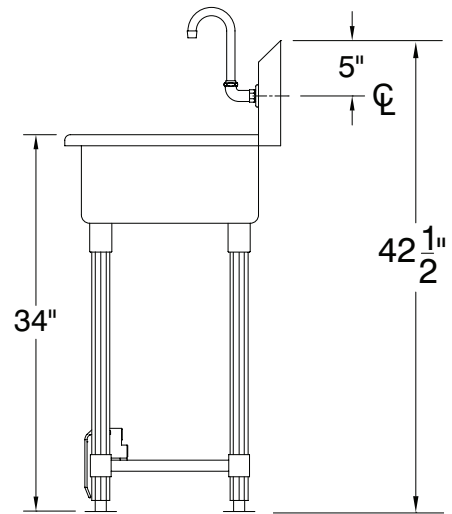
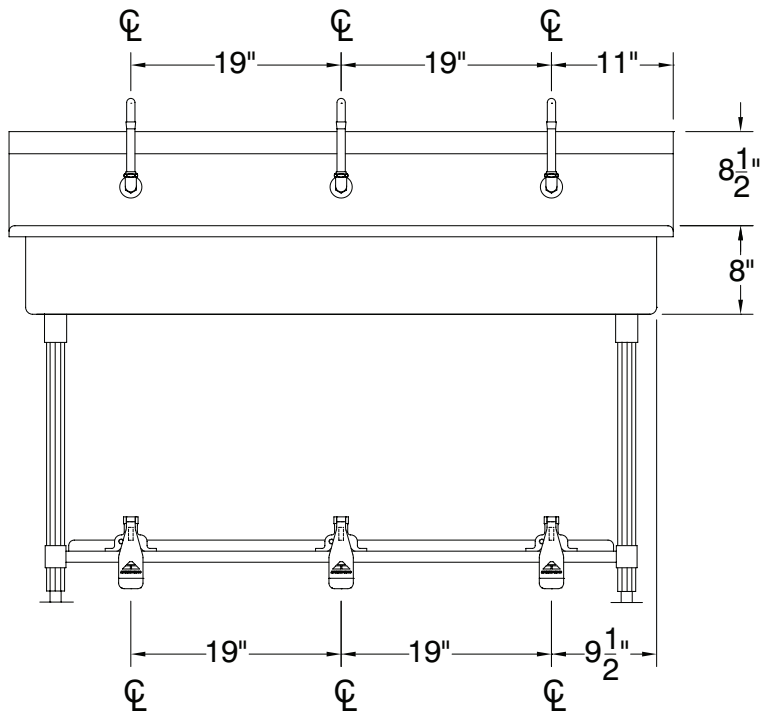
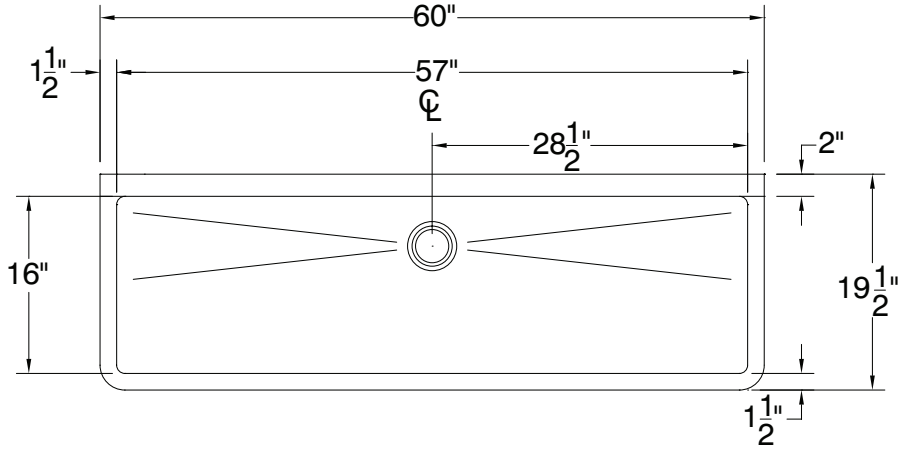
Email: [smartfab@advancetabco.com](mailto:smartfab@advancetabco.com) or Fax: 631-586-2933

# DETAILS and SPECIFICATIONS

TOL ± .500"

ALL DIMENSIONS ARE TYPICAL

FS-FM-60FV



140 Lbs.



REF-JJ

325 Wireless Boulevard, Hauppauge NY 11788

ADVANCE TABCO is constantly engaged in a program of improving our products. Therefore, we reserve the right to change specifications without prior notice.

© ADVANCE TABCO, OCTOBER 2019