



14 GAUGE STAINLESS STEEL

# ONE STATION FLOOR MOUNTED SINK WITH TUBULAR LEGS & CROSS BRACING ELECTRONIC OPERATED



K-175 Electronic  
Faucets Included  
On All "EF" Models

Item #:	_____	Qty #:	_____
Model #:	_____		
Project #:	_____		



**FEATURES:**

- 8 1/2" high backsplash.
- 10" sink bowl depth.
- One stainless steel "Z" bracket.
- One **K-6** 3 1/2" rear basket drain.
- Tubular stainless steel legs with flanged feet.
- Side & rear adjustable cross-bracing with leg clamps.
- Electronic Operated:** Includes one **K-175** Electronic Faucet.

**CONSTRUCTION:**

- All TIG welded.
- Welded areas blended to match adjacent surfaces and to a satin finish.

**MATERIAL:**

All 14 gauge type "304" stainless steel.  
1 5/8" tubular "304" stainless steel legs & cross-bracing.  
Stainless steel gussets.

**MECHANICAL:**

Single faucet hole punched.

Model #	Length	# of Faucets	Wt.	Cu. Ft.
FS-FM-2219EF	23"	1	72 lbs.	12

[Click Here For Install Guide](#)



## MULTI-STATION ACCESSORIES & REPLACEMENT PARTS

Model	Description	QTY:
K-6	3 1/2" Drain (1 1/2" I.P.S.)	_____
K-13	Stainless Steel Soap Dispenser (Wall Mount Only)	_____
K-06	Splash Mount Faucet Mounting Kit	_____
K-101	8" Swing Spout Splash Mt. Faucet	_____
K-159	Splash Mounted 3-1/2" Gooseneck Faucet (8" O.C.)	_____
K-160	Splash Mounted 6" Swivel Spout Faucet (8" O.C.)	_____
K-411	Strainer Plate for 3-1/2" Drain	_____
K-1118	Extra H.D. 8" Splash Mounted Faucet	_____
K-316-LU	Wrist Handles	_____
K-472	Faucet Hole Revision (Manual Faucet Operated Sinks Only)	_____
K-508	Special Sizing Charge (Larger Size Cut Down To Smaller Size)	_____
TA-19	Adjustable Stainless Steel Flanged Bullet Foot	_____



K-159



K-160



K-101



K-13



K-06

= Ships UPS

Standard Faucets conform to NSF 61 Standard 9 and compliance to AB 1953 Standards.

**WARNING:** Equipment that include faucets on this page may contain a chemical known to the State of California to cause cancer, birth defects or other reproductive harm.



Customer Service Available To Assist You **1-800-645-3166** 8:30 am - 7:00 pm E.S.T.

For Orders & Customer Service:

Email: [customer@advancetabco.com](mailto:customer@advancetabco.com) or Fax: 631-242-6900

For Smart Fabrication™ Quotes:

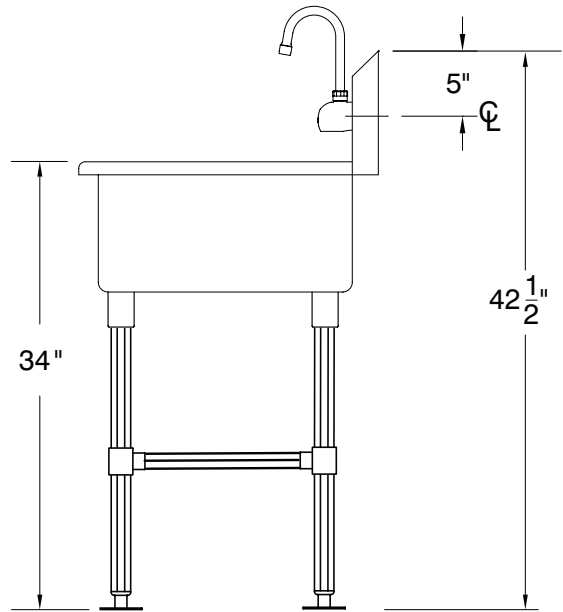
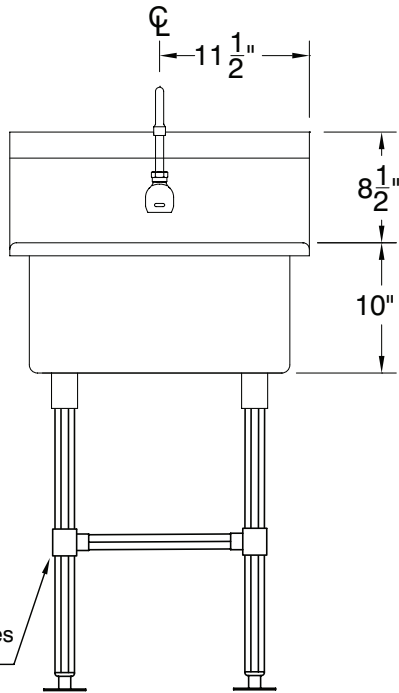
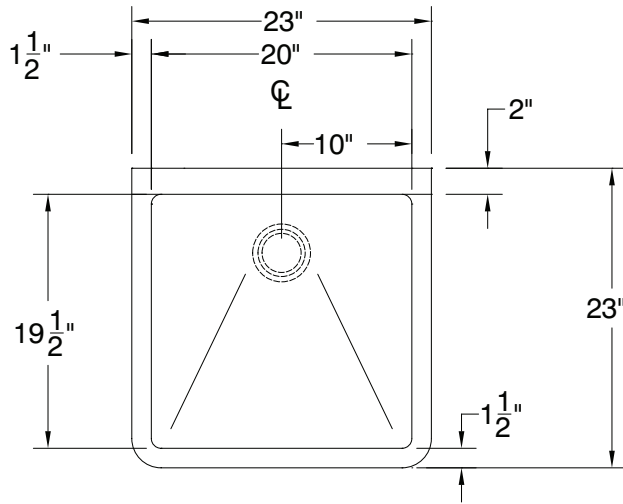
Email: [smartfab@advancetabco.com](mailto:smartfab@advancetabco.com) or Fax: 631-586-2933

# DETAILS and SPECIFICATIONS

TOL ± .500"

ALL DIMENSIONS ARE TYPICAL

FS-FM-2219EF



Stainless Steel Rear & Sides  
Adjustable Cross-Bracing

72 Lbs.

