



FC-K6-18D

Shown with Optional Faucets

FEATURES:

- Backsplash has tile edge for ease of installation.
- Sink bowls are 3/4" covered corner and meet NSF requirements.
- Rolled Rim Edge for additional strength.
- 3 Sink Bowls Measuring 18" x 18" x 14"
- 2 Drainboards Measuring 18" x 18"
- Adjustable Cross-bracing.

MATERIAL:

- 2 "H" leg assemblies and 1 single leg.
- Legs are 1 5/8" diameter stainless steel with 1" adjustable stainless steel bullet feet.
- Entire unit is 16 gauge 304 stainless steel.
- Gussets - stainless steel.

MECHANICAL:

- Supply is 1/2" IPS hot & cold.
- 2 Sets of Faucet holes on 8" centers.
- Faucets are not included (**see accessories**).
- Waste drains are 1 1/2" IPS S/S basket type, located in center of sink bowl, and are included

CONSTRUCTION:

- All TIG welded.
- Welded areas blended to match adjacent surfaces and to a satin finish.
- Gussets welded to a die-formed reinforced plate.

MODEL #	"A"	"B"	"C"	"L"	"W"
FC-K6-18D	18"	18"	18"	57"	24"

STAINLESS STEEL

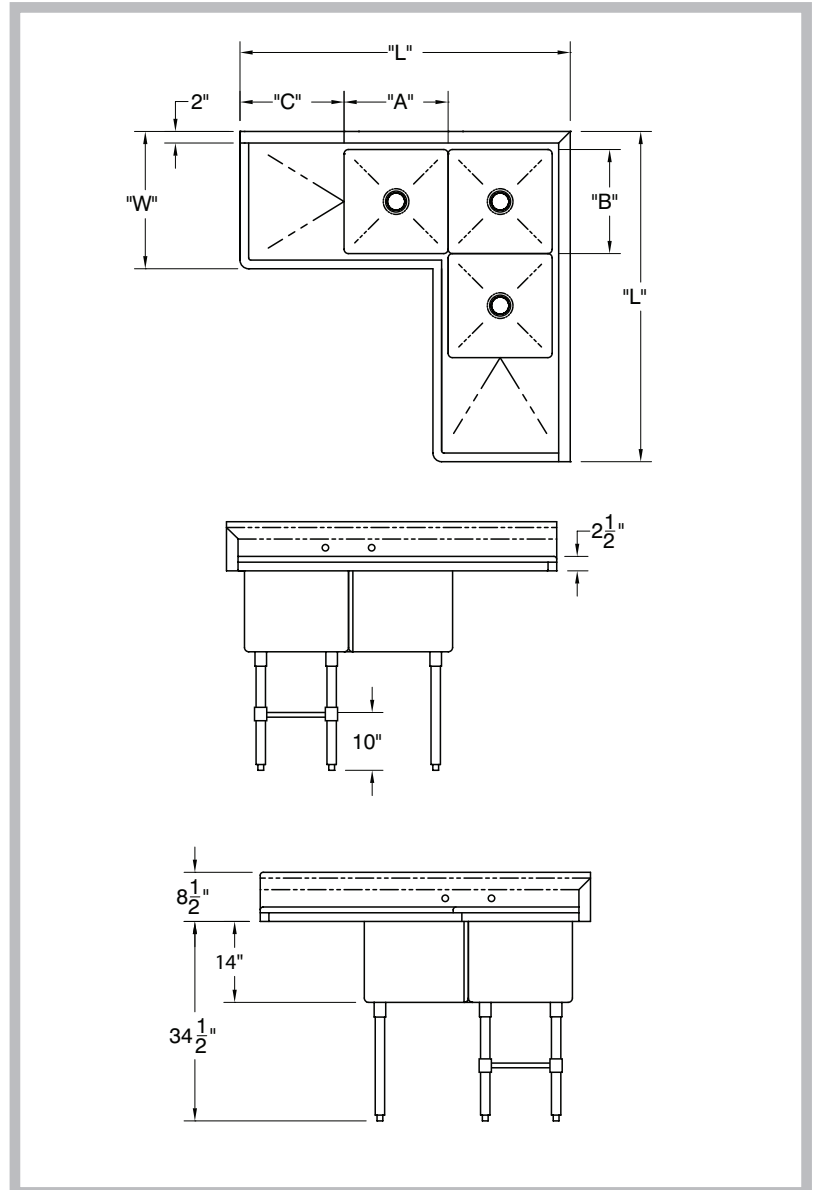
FABRICATED ECONOMY CORNER SINK 

Item #: _____ Qty #: _____
 Model #: _____
 Project #: _____

DIMENSIONS and SPECIFICATIONS

TOL ± .500"

ALL DIMENSIONS ARE TYPICAL



Customer Service Available To Assist You 1-800-645-3166 8:30 am - 7:00 pm E.S.T.

For Orders & Customer Service:

Email: customer@advancetabco.com or Fax: 631-242-6900

For Smart Fabrication™ Quotes:

Email: smartfab@advancetabco.com or Fax: 631-586-2933