



16 GAUGE STAINLESS STEEL

# ONE STATION FLOOR MOUNTED SINK WITH TUBULAR LEGS & CROSS BRACING

## KNEE OPERATED



Knee Valves  
Included On All  
"KV" Models

Item #: \_\_\_\_\_ Qty #: \_\_\_\_\_  
 Model #: \_\_\_\_\_  
 Project #: \_\_\_\_\_



### FEATURES:

- 8 1/2" high backsplash.
- 8" sink bowl depth.
- One stainless steel "Z" bracket.
- One **K-6** 3 1/2" rear basket drain.
- Tubular stainless steel legs with flanged feet.
- Side & rear adjustable cross-bracing with leg clamps.
- Knee Operated:** Includes one **7-PS-32** knee valve and one **K-121** spout.

### CONSTRUCTION:

- All TIG welded.
- Welded areas blended to match adjacent surfaces and to a satin finish.

### MATERIAL:

- All 16 gauge type "304" stainless steel.
- 1 5/8" tubular "304" stainless steel legs & cross-bracing.
- Stainless steel gussets.

### MECHANICAL:

- Single faucet hole punched.

Model #	Length	# of Spout	# of Knee Pedals	Wt.	Cu. Ft.
FC-FM-2219KV	23"	1	1	62 lbs.	12

[Click Here For Install Guide](#)



## MULTI-STATION ACCESSORIES & REPLACEMENT PARTS

Model	Description	QTY:
<b>7-PS-32</b>	Knee Valve Assembly	_____
<b>K-6</b>	3 1/2" Drain (1 1/2" I.P.S.)	_____
<b>K-06</b>	Splash Mount Faucet Mounting Kit	_____
<b>K-13</b>	Stainless Steel Soap Dispenser (Wall Mount Only)	_____
<b>K-121</b>	Single Hole, Splash Mounted 3-1/2" Gooseneck Spout	_____
<b>K-411</b>	Strainer Plate for 3-1/2" Drain	_____
<b>K-508</b>	Special Sizing Charge ( <i>Larger Size Cut Down To Smaller Size</i> )	_____
<b>TA-19</b>	Adjustable Stainless Steel Flanged Bullet Foot	_____



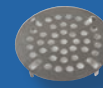
K-121



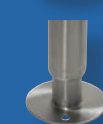
7-PS-32



K-13



K-411



TA-19



K-06

= Ships UPS

Standard Faucets conform to NSF 61 Standard 9 and compliance to AB 1953 Standards.

**WARNING:** Equipment that include faucets on this page may contain a chemical known to the State of California to cause cancer, birth defects or other reproductive harm.



Customer Service Available To Assist You **1-800-645-3166** 8:30 am - 7:00 pm E.S.T.

For Orders & Customer Service:

Email: [customer@advancetabco.com](mailto:customer@advancetabco.com) or Fax: 631-242-6900

For Smart Fabrication™ Quotes:

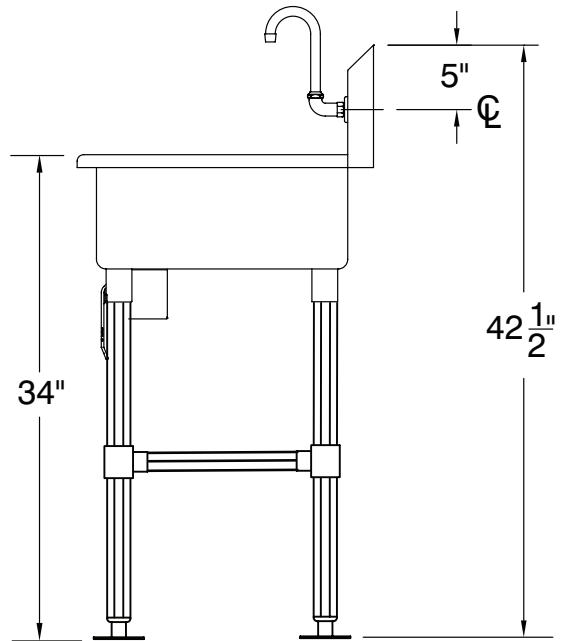
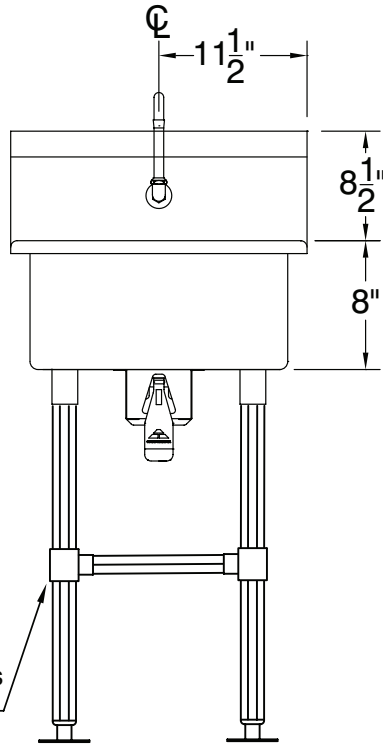
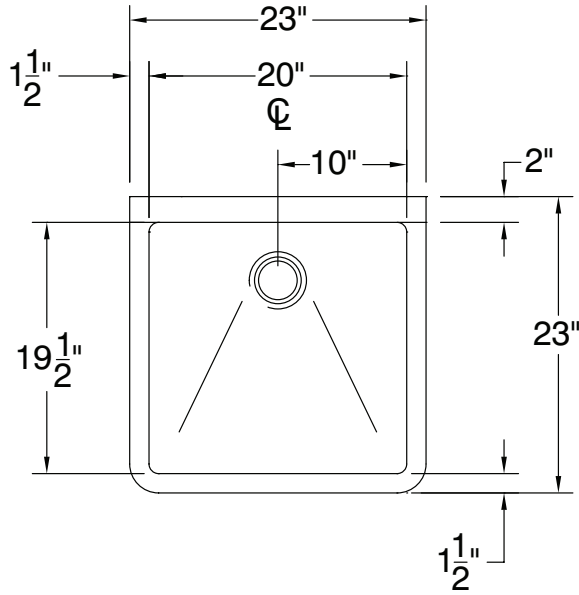
Email: [smartfab@advancetabco.com](mailto:smartfab@advancetabco.com) or Fax: 631-586-2933

# DETAILS and SPECIFICATIONS

TOL ± .500"

ALL DIMENSIONS ARE TYPICAL

FC-FM-2219KV



Stainless Steel Rear & Sides  
Adjustable Cross-Bracing

70 Lbs.

