



STAINLESS STEEL

# Drop-In Water Station

## With Filler Faucet



Item #: _____	Qty #: _____
Model #: _____	
Project #: _____	

**DI-1-9**  
12" x 14"



**FEATURES:**

Includes K-54 deck mount faucet with "Push-back" actuator.  
**DI-1-9** features removable electro-polished stainless steel grill.

**CONSTRUCTION:**

Unit fabricated from one sheet of stainless steel.  
 All bowls are Sound Deadened.  
 Units feature Advance Tabco's **Smart Finish™**.

**MECHANICAL:**

Faucet supply is 1/2" IPS male thread.  
 Deck mounted faucet is furnished with aerator.  
**DI-1-9** includes deck mounted faucet furnished with "Push-Back" actuator.  
**Faucet Flow Rate:** 1.0 GPM/3.8 LPM aerator. 60 PSI.

**MATERIAL:**

Type 304 series stainless steel.  
 Faucet is brass-nickel plated.  
 Stainless Steel 1-1/2" IPS basket drain.

Model #	Description	Outside Dimensions	Cut-Out Size	Ice Capacity	Approx. Weight	Approx. Cu. Ft.
DI-1-9	Water Station	12" x 14"	11 1/4" x 13 1/4"	N/A	15 lbs.	3

 **WARNING:** Faucets on this page may expose you to chemicals, including lead, that are known to the State of California to cause cancer or birth defects or other reproductive harm. For more Info., visit [www.p65warnings.ca.gov](http://www.p65warnings.ca.gov).



**Customer Service Available To Assist You 1-800-645-3166 8:30 am - 7:00 pm E.S.T.**

For Orders & Customer Service:  
 Email: [customer@advancetabco.com](mailto:customer@advancetabco.com) or Fax: 631-242-6900

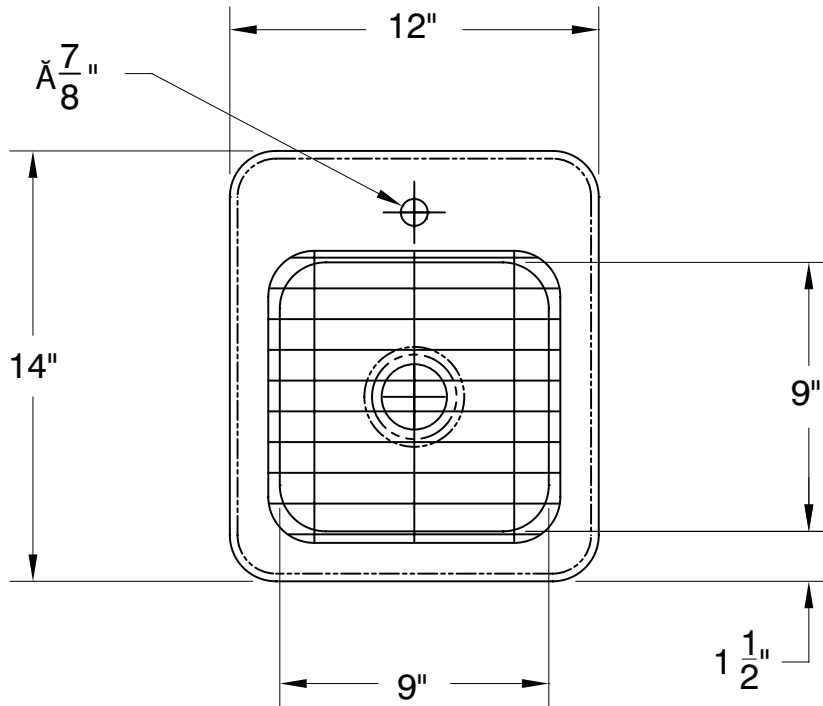
For Smart Fabrication™ Quotes:  
 Email: [smartfab@advancetabco.com](mailto:smartfab@advancetabco.com) or Fax: 631-586-2933

# DIMENSIONS and SPECIFICATIONS

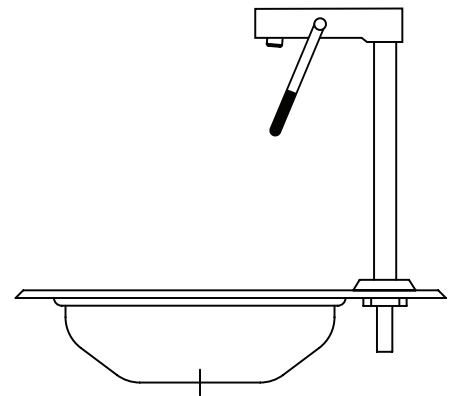
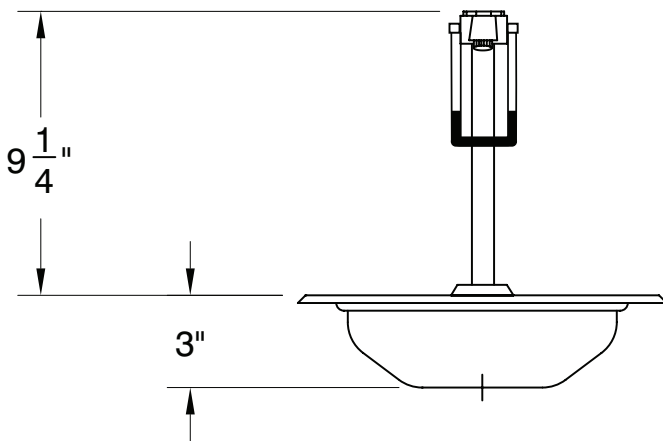
TOL Overall:  $\pm .500$ " Interior:  $\pm .250$ "

ALL DIMENSIONS ARE TYPICAL

DI-1-9



**Cut-Out Size**  
11 1/4" x 13 1/4"  
1 1/4" radius corners



Approx. Wt. 15 lbs.

