

Hand Sink With Glass Rinser & Drainboard



Item #: _____ Qty #: _____
 Model #: _____
 Project #: _____

FEATURES:

- One Piece Deep Drawn 14" x 10" x 7" sink bowl with 2" drain with strainer plate
- K-125 splash mount swing spout faucet
- 29" working height
- 7" backsplash
- Stainless steel top, apron, sides, legs and adjustable bullet feet
- Dipper well with A-33 faucet
- Stainless steel glass rinser with removable drainboard
- Adjustable stainless steel side cross-bracing

MATERIAL:

- Sink:** 20 gauge, 300 stainless steel
- Dipper Well:** Stainless steel insert
- Glass Rinser:** 18 gauge stainless steel
- A-33 Dipper Well Faucet:** Deck mounted, chrome plated brass body, chrome plated handle
- K-125 Sink Faucet:** Splash mounted, chrome plated brass body, chrome plated handle
- Legs:** 1-5/8" O.D. 18 gauge, 300 stainless steel with 1" adjustable stainless steel bullet feet

MECHANICAL:

- Sink:** 1-1/2" IPS outlet drain
- Dipper Well:** 1-1/2" IPS drain
- Glass Rinser:** 4-1/2" Glass Rinser Area
- Water Connection:** External - 1/2" BSP (Standard Plumbing Connection)
- Water Connection for Dipper Well & Glass Rinser:** External - 1/2" BSP (Standard Plumbing Connection)
- Sink Drain:** Threaded Brass 1-1/2" x 1/2" ID, 1" IPS

| Model # | Size L x W x H | Approx. Weight | Approx. Cu. Ft. |
|------------|-----------------|----------------|-----------------|
| PRCS-25-18 | 18" x 25" x 36" | 80 lbs. | 14 |

REPLACEMENT PARTS



K-125
6" Splash Mounted Faucet



A-33
Dipper Well Faucet



A-7
Dipper Well



SU-16
Glass Rinser



A-10
1" Water Outlet For Drainboard



K-63
1-1/2" Basket Drain

OPTIONAL



A-16
Perforated Basket

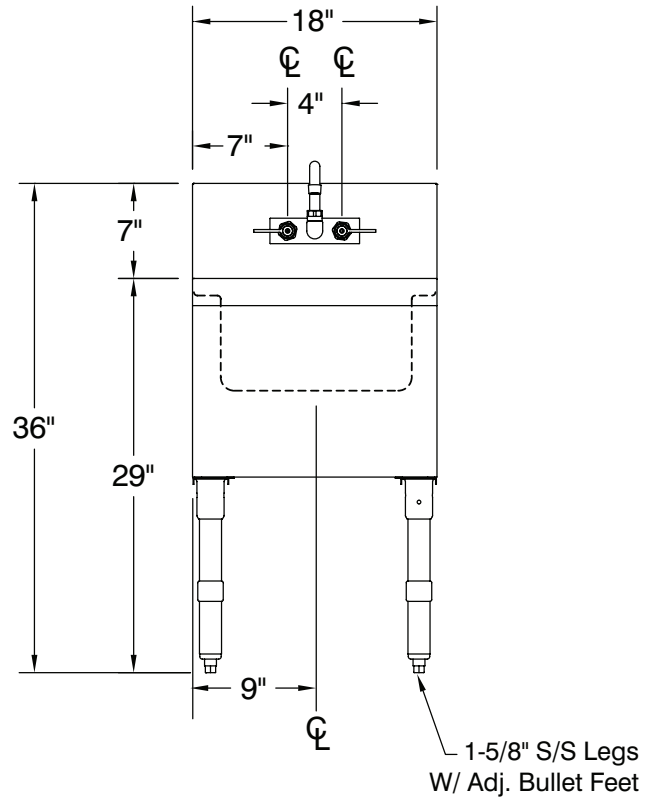
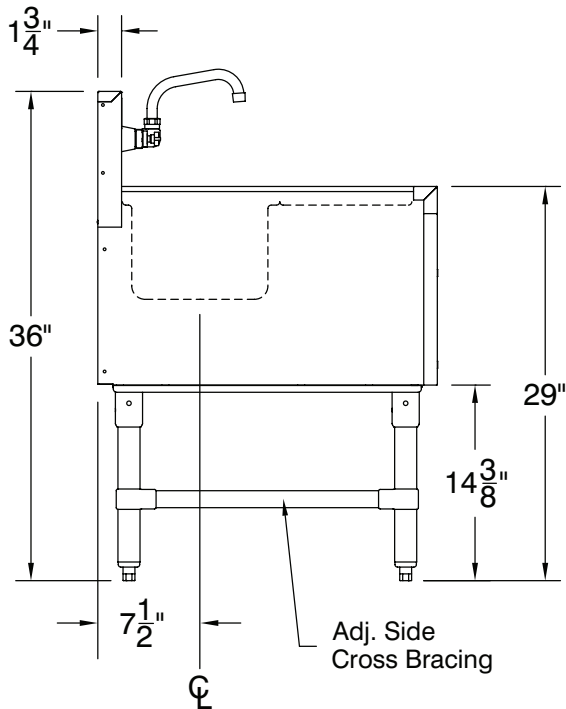
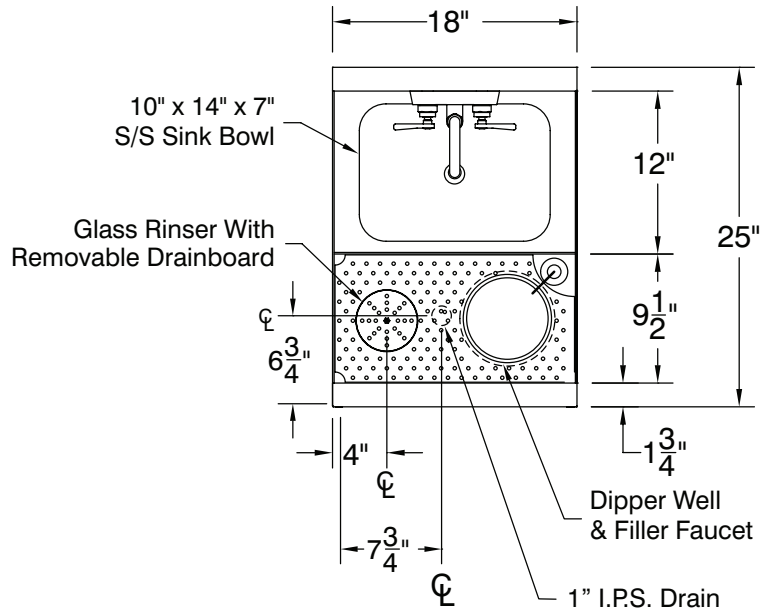
WARNING: Faucets on this page may expose you to chemicals, including lead, that are known to the State of California to cause cancer or birth defects or other reproductive harm. For more Info, visit www.p65warnings.ca.gov.

DIMENSIONS and SPECIFICATIONS

TOL Overall: ± .500" Interior: ± .250"

ALL DIMENSIONS ARE TYPICAL

PRCS-25-18



80 Lbs.

