



K-52-EC-X 3-1/2" GOOSENECK DECK MOUNT FAUCET

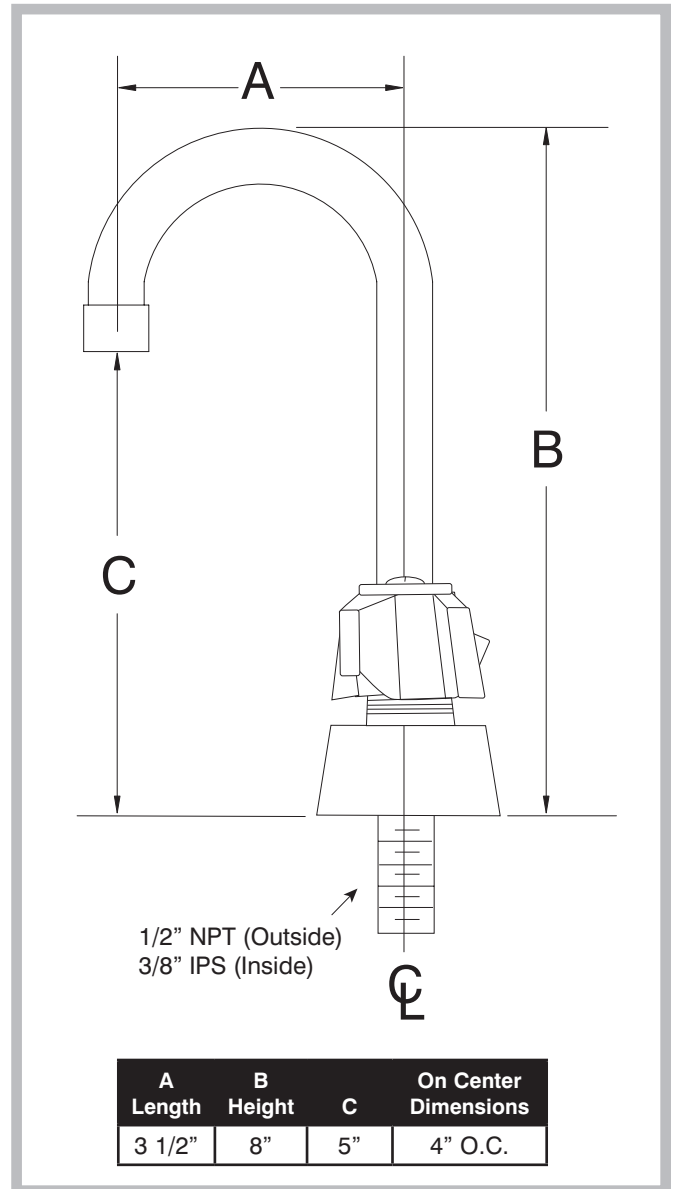
Conforms To NSF 61/9 Lead Free Requirements



Item #: _____ Qty #: _____
 Model #: _____
 Project #: _____

FAUCET AERATOR CONFORM TO
 ASTM.A112.18.1M • 1.0 GPM/3.8 LP
 THREAD: 55/64 - 27 FEMALE

DIMENSIONS and SPECIFICATIONS



FEATURES:

- 3 1/2" gooseneck spout.
- 4" O.C. water supply.
- Quarter-turn wedge style handles.
- Colored hot & cold Indexes.
- 1.0 GPM/3.8 LPM Aerator. 60 PSI.

MATERIAL:

- Brass chrome plated body & spout.
- Chrome plated handles.

Accessories

Low Flow Aerator

.5 GPM

K-08



WARNING:

Faucet(s) on this page may expose you to chemicals, including lead, that are known to the State of California to cause cancer or birth defects or other reproductive harm. For more Info., visit www.p65warnings.ca.gov.

A	B	C	On Center Dimensions
Length	Height		
3 1/2"	8"	5"	4" O.C.



Customer Service Available To Assist You 1-800-645-3166 8:30 am - 7:00 pm E.S.T.

For Orders & Customer Service:

Email: customer@advancetabco.com or Fax: 631-242-6900

For Smart Fabrication™ Quotes:

Email: smartfab@advancetabco.com or Fax: 631-586-2933