



16 GAUGE STAINLESS STEEL

# ONE STATION FLOOR MOUNTED SQUARE CORNER SINK WITH TUBULAR LEGS & CROSS BRACING WITH/WITHOUT MANUAL FAUCETS



Manual Operated  
(Faucet Not Included)



"-F" Series Sink Includes  
K-159  
Gooseneck Faucet

Item #: \_\_\_\_\_ Qty #: \_\_\_\_\_  
 Model #: \_\_\_\_\_  
 Project #: \_\_\_\_\_



**FEATURES:**

- 8 1/2" high backsplash.
- 8" sink bowl depth.
- One stainless steel "Z" bracket.
- One K-6 3 1/2" rear basket drain.
- Tubular stainless steel legs with flanged feet.
- Side & rear adjustable cross-bracing with leg clamps.

**Manual Operated:** Faucet sold separately.

"-F" Series includes one K-159 3 1/2" gooseneck faucet.

**CONSTRUCTION:**

- All TIG welded.
- Welded areas blended to match adjacent surfaces and to a satin finish.

**MATERIAL:**

- All 16 Gauge type "304" stainless steel.
- 1 5/8" tubular "304" stainless steel legs & cross-bracing.
- Stainless steel gussets.

**MECHANICAL:**

- 8" O.C. faucet holes punched.

| Model #    | Length | # of Faucets Sink Accommodates | # of Faucets Included                       | Wt.     | Cu. Ft. |
|------------|--------|--------------------------------|---|---------|---------|
| 19-FM-23   | 23"    | 1                              | 0<br><small>(Faucet Not Included)</small>   | 45 lbs. | 11      |
| 19-FM-23-F | 23"    | 1                              | 1<br><small>(K-159 Faucet Included)</small> | 47 lbs. | 11      |

[Click Here For Install Guide](#)



## MULTI-STATION ACCESSORIES & REPLACEMENT PARTS

| Model    | Description   | QTY:  |
|----------|---|-------|
| K-6      | 3 1/2" Drain (1 1/2" I.P.S.)  | _____ |
| K-13     | Stainless Steel Soap Dispenser (Wall Mount Only)                    | _____ |
| K-06     | Splash Mount Faucet Mounting Kit                                    | _____ |
| K-101    | 8" Swing Spout Splash Mt. Faucet                                    | _____ |
| K-159    | Splash Mounted 3-1/2" Gooseneck Faucet (8" O.C.)                    | _____ |
| K-160    | Splash Mounted 6" Swivel Spout Faucet (8" O.C.)                     | _____ |
| K-411    | Strainer Plate for 3-1/2" Drain                                     | _____ |
| K-1118   | Extra H.D. 8" Splash Mounted Faucet                                 | _____ |
| K-316-LU | Wrist Handles   | _____ |
| K-472    | Faucet Hole Revision<br><i>(Manual Faucet Operated Sinks Only)</i>  | _____ |
| K-508    | Special Sizing Charge <i>(Larger Size Cut Down To Smaller Size)</i> | _____ |
| TA-19    | Adjustable Stainless Steel Flanged Bullet Foot                      | _____ |



K-159



K-160



K-101



K-13



K-06

= Ships UPS

Standard Faucets conform to NSF 61 Standard 9 and compliance to AB 1953 Standards.



Customer Service Available To Assist You 1-800-645-3166 8:30 am - 7:00 pm E.S.T.

For Orders & Customer Service:

Email: [customer@advancetabco.com](mailto:customer@advancetabco.com) or Fax: 631-242-6900

For Smart Fabrication™ Quotes:

Email: [smartfab@advancetabco.com](mailto:smartfab@advancetabco.com) or Fax: 631-586-2933

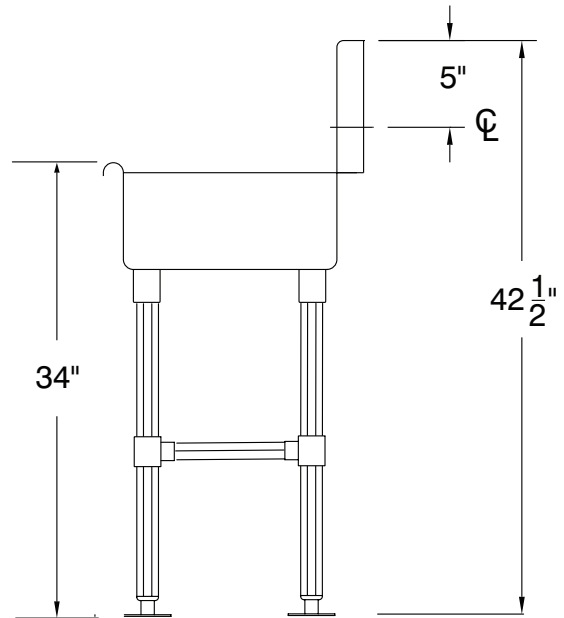
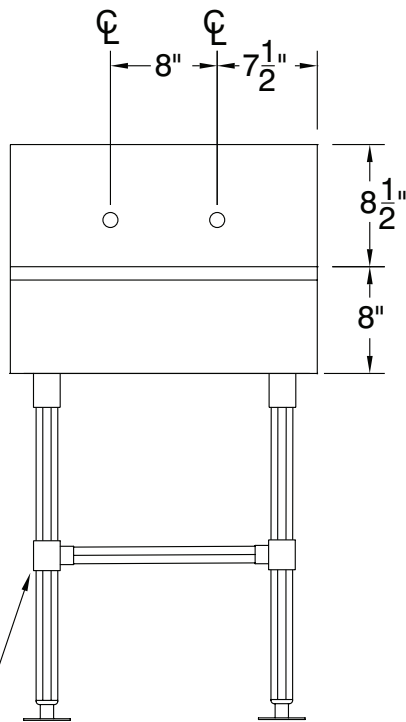
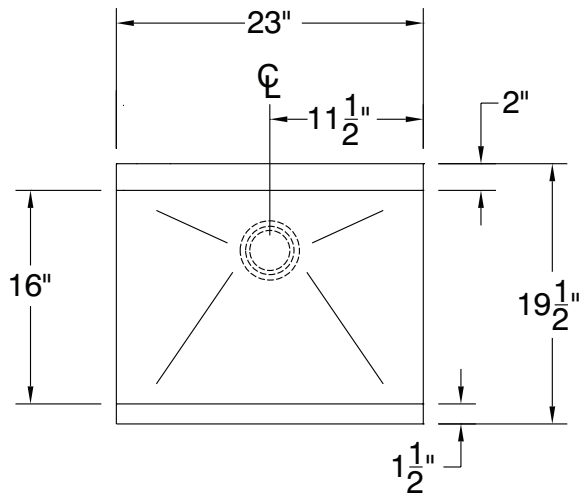
# DETAILS and SPECIFICATIONS

TOL ± .500"

FITTINGS SUPPLIED AS SHOWN

ALL DIMENSIONS ARE TYPICAL

19-FM-23



45 Lbs.

