

Model No :: **20409LEDD-SAT**
 Name :: **Lux**



Project Name :: _____
 Location :: _____
 Type :: _____
 Quantity :: _____
 Notes :: _____

Product Information

Product ID :: 20409
 UPC Code :: 641594229363
 Mounting Type :: Wall
 Finish :: Satin (SAT)
 Diffuser :: N/A
 Alt. Finishes :: Black (BL)
 Alt. Diffusers :: N/A

Product Dimensions

| | | |
|-------------------|----------|-----------------|
| Fixture | | Canopy |
| Length :: | N/A | Length :: N/A |
| Width :: | 6.1" | Width :: N/A |
| Diameter :: | N/A | Diameter :: N/A |
| Extension :: | 1.77" | Height :: N/A |
| Height :: | 11.81" | |
| Overall Height :: | N/A Max. | |



Technical Specifications

Qualifications

Location Rating :: Damp
 Certification :: cULus
 IES File :: No
 JA8 Compliant :: No
 Title 20 Compliant :: N/A
 Energy Star :: No
 ADA Compliant :: Yes
 Marine Grade :: No
 Emergency Lighting :: No
 Warranty :: 5 Year Limited

Specifications

Frame Material :: Aluminum
 Diffuser Material :: N/A
 Voltage :: 120-277v
 Lamping Type :: Dedicated LED
 Lamping Base :: SSL
 Lamp Quantity :: 2
 Lamp Wattage :: 6 W
 Total Wattage :: 12 W
 Lamps Included :: Yes
 J-Box Type :: Standard

Photometrics

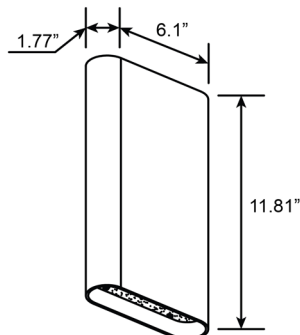
CCT :: 3000
 CRI :: 85
 Wattage :: 12 W
 Nominal Lumens :: 1000
 Delivered Lumens :: N/A

Recommended Dimmers

Lutron DVELV-300P (Diva);
 Lutron SELV-300P (Skylark);
 Leviton IPE04 (IllumaTech)

Custom Options :: N/A; Additional Items :: N/A

Line Drawing #1



Line Drawing #2

Image Not Available

IES File

Image Not Available

Toll Free 800-828-5483 or www.AccessLighting.com

14410 Myford Road, Irvine, CA 92606

The information provided is subject to change without notice. ©2018 Access Lighting Corporation. All Rights Reserved
 Rev. 201901 Filename:: 20409LEDD-SAT.pdf

