

Stock Code: **72022LEDD-BS/ACR**

Collection: Pipeline

### PRODUCT INFORMATION

Base: 72022 Parent: 72022LEDD  
Mounting Type: Ceiling UPC: 641594249415  
Finish: Brushed Steel  
Diffuser: Acrylic Lens

### PRODUCT MEASUREMENTS

FIXTURE	BACKPLATE / CANOPY
Length:	Length
Width:	Width:
Diameter 1.25"	Diameter: 4.75"
Height: 15.5"	Height: .75"
Extension:	
Overall Height: 20.5-136.5"	

### TECHNICAL SPECIFICATIONS

#### SPECIFICATIONS

Frame Material: Aluminum  
Diffuser Material: Acrylic  
Lamping Type: SSL (Dedicated LED) Jbox: Standard  
Lamping Base: SSL Lamp Wattage: 5 W  
Lamp Quantity: 1 Total Wattage: 5 W  
Voltage: 120v Lamps Included: Yes

#### QUALIFICATIONS

Location Rating: Damp  
Certification: ETL (US/Canada) Listed  
ADA Compliant: No Energy Star: No  
JA8 Compliant: No Emergency Lighting: No  
Marine Grade Finish: No  
Warranty: 5 Year

#### PHOTOMETRICS

Dimmable: Yes Nominal Lumens: 450 Lm  
CRI: 80 Delivered Lumens: N/A  
CCT: 3000K  
Recommended Dimmers:  
(TRIAC)LUTRON Skylark CL SCL-153 or SCL-153P;  
(ELV)LUTRON Skylark Contour CTCL-153P; (TRIAC)LEVITON  
Surslide 6631; (ELV)LUTRON Maestro CL MACL-153M;  
(TRIAC)LUTRON Diva DVCL-153P

#### ADDITIONAL NOTES

10 feet of clear coated cord included; Custom Finish 100 Piece  
Minimum Order Quantity

Project Name: \_\_\_\_\_

Location: \_\_\_\_\_

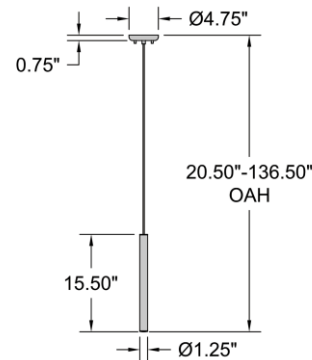
Type: \_\_\_\_\_

Quantity: \_\_\_\_\_

Notes: \_\_\_\_\_



#### LINE DRAWING



#### IES FILE

In addition to Access Lighting's purchase and warranty terms and conditions, by signing below or placing an order, you agree that you are authorized to bind the entity placing any order and acknowledge the following: All of sizes and measurements are approximate and all images are for illustrative purposes only. In the event of an inconsistency, the "Product Measurements" section controls. There also may be slight differences in the colors and designs compared to the displayed and printed images.

Signature: \_\_\_\_\_

Print Name \_\_\_\_\_ Date: \_\_\_\_\_

Toll Free 800-828-5483 [www.AccessLighting.com](http://www.AccessLighting.com)

14410 Myford Road, Irvine, CA 92606

The information is subject to change without notice. 3/25/2023 72022LEDD-BS\_ACR.pdf

