

Stock Code: **72016LEDD-BS**

Collection: Aalto

PRODUCT INFORMATION

Base: 72016 Parent: 72016LEDD
Mounting Type: Ceiling UPC: 641594249255
Finish: Brushed Steel
Diffuser: N/A

PRODUCT MEASUREMENTS

FIXTURE	BACKPLATE / CANOPY
Length:	Length
Width: 4.75"	Width:
Diameter	Diameter: 4.75"
Height: 15.75"	Height:
Extension: 13"	
Overall Height:	

TECHNICAL SPECIFICATIONS

SPECIFICATIONS

Frame Material: Steel
Diffuser Material: Steel
Lamping Type: SSL (Dedicated LED) Jbox: Standard
Lamping Base: SSL Lamp Wattage: 7 W
Lamp Quantity: 1 Total Wattage: 7 W
Voltage: 120v Lamps Included: Yes

QUALIFICATIONS

Location Rating Dry
Certification: UL (US/Canada) Listed
ADA Compliant: No Energy Star: No
JA8 Compliant: Yes Emergency Lighting: No
Marine Grade Finish: No
Warranty: 5 Year

PHOTOMETRICS

Dimmable: Yes Nominal Lumens 600 Lm
CRI: 90 Delivered Lumens: 169 Lm
CCT: 3000K
Recommended Dimmers:
(ELV)LEVITON Decora DSE06-10Z; (ELV)LUTRON Maestro MAELV-600; (TRIAC)LEVITON Decora Sureslide 6674;
(TRIAC)LUTRON Skylark CL SCL-153 or SCL-153P;
(TRIAC)LUTRON Diva DVCL-153P

ADDITIONAL NOTES

Can be hardwired or used with included pin-up kit

Project Name: _____

Location: _____

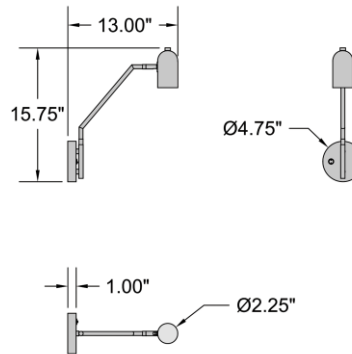
Type: _____

Quantity: _____

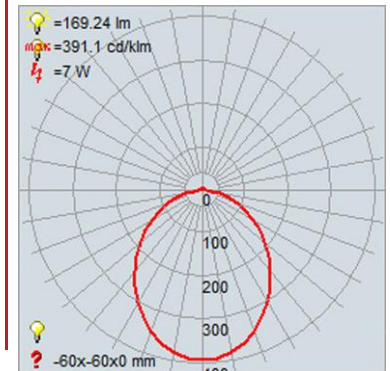
Notes: _____



LINE DRAWING



IES FILE



In addition to Access Lighting's purchase and warranty terms and conditions, by signing below or placing an order, you agree that you are authorized to bind the entity placing any order and acknowledge the following: All of sizes and measurements are approximate and all images are for illustrative purposes only. In the event of an inconsistency, the "Product Measurements" section controls. There also may be slight differences in the colors and designs compared to the displayed and printed images.

Signature: _____

Print Name _____ Date: _____

Toll Free 800-828-5483 www.AccessLighting.com

14410 Myford Road, Irvine, CA 92606

The information is subject to change without notice.

4/18/2023

72016LEDD-BS.pdf

