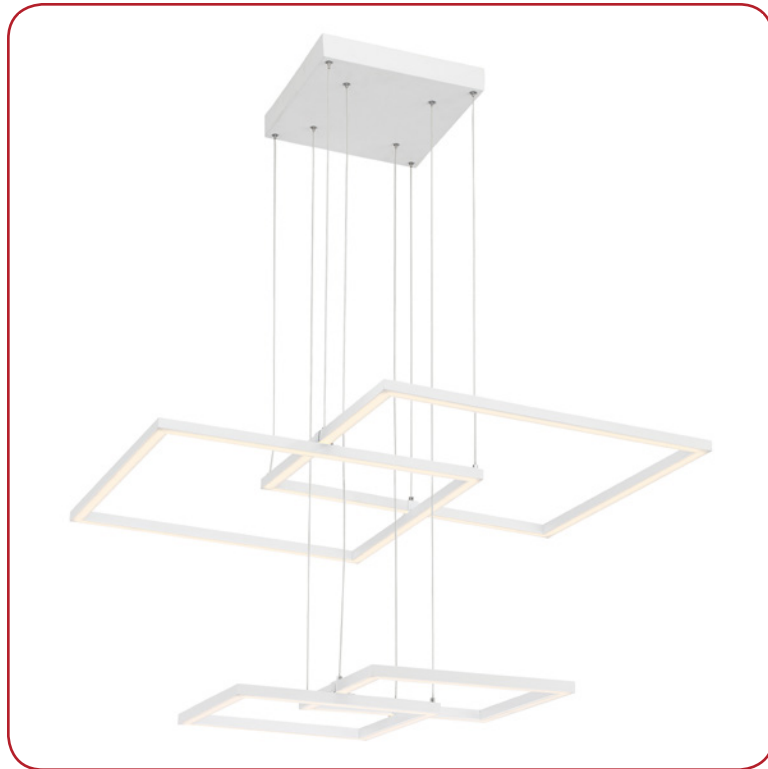


Model No :: **63968LEDD-WH/ACR**
 Name :: Squared



Project Name :: _____
 Location :: _____
 Type :: _____
 Quantity :: _____
 Notes :: _____

Product Information

Product ID :: 63968
 UPC Code :: 641594229042
 Mounting Type :: Ceiling
 Finish :: White (WH)
 Diffuser :: Acrylic Lens (ACR)
 Alt. Finishes :: Black (BL); White (WH)
 Alt. Diffusers :: Acrylic Lens (ACR)

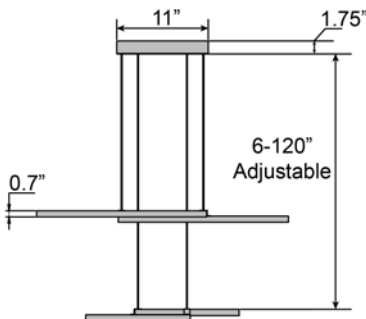
Product Dimensions

Fixture	Canopy
Length :: 30.5"	Length :: 11"
Width :: 30.5"	Width :: 11"
Diameter :: N/A	Diameter :: N/A
Extension :: N/A	Height :: 1.75"
Height :: 4.5"	
Overall Height :: 6-123"	

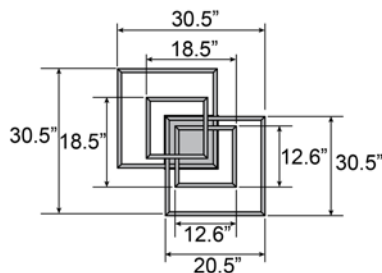
Technical Specifications

Qualifications	Specifications	Photometrics	Recommended Dimmers
Location Rating :: Damp	Frame Material :: Metal	CCT :: 3000	(ELV) LUTRON Skylark SELV-300P; (TRIAC) LUTRON Diva DVCL-153P; (TRIAC) LUTRON Skylark S-603PG
Certification :: UL Listed (US/Canada)	Diffuser Material :: Acrylic	CRI :: 85	
IES File ::	Voltage :: 120v	Wattage :: 75w	
JA8 Compliant :: No	Lamping Type :: Dedicated LED	Nominal Lumens :: 5600Lm	
Energy Star :: No	Lamping Base :: SSL	Delivered Lumens :: N/A	
ADA Compliant :: No	Lamp Quantity :: 1	Additional Items :: 0	
Marine Grade :: No	Lamp Wattage :: 75 W		
Emergency Lighting :: No	Total Wattage :: 75w		
Warranty :: 5 Year Limited	Lamps Included :: Yes		
	J-Box Type :: Standard		

Line Drawing #1



Line Drawing #2



IES File

Image Not Available

Toll Free 800-828-5483 • www.AccessLighting.com

14410 Myford Road, Irvine, CA 92606

The information provided is subject to change without notice. ©2020 Access Lighting Corporation. All Rights Reserved
 Rev. 202004 Filename:: 63968LEDD-WH_ACR.pdf

