

Model No :: **63965LEDD-CH/ACR**
 Name :: Aviator



Project Name :: _____
 Location :: _____
 Type :: _____
 Quantity :: _____
 Notes :: _____

Product Information

Product ID :: 63965
 UPC Code :: 641594197433
 Mounting Type :: Ceiling
 Finish :: Chrome (CH)
 Diffuser :: Acrylic Lens (ACR)
 Alt. Finishes :: Chrome (CH)
 Alt. Diffusers :: Acrylic Lens (ACR)

Product Dimensions

Fixture		Canopy	
Length ::	N/A	Length ::	N/A
Width ::	N/A	Width ::	N/A
Diameter ::	34"	Diameter ::	6"
Extension ::	N/A	Height ::	1.5"
Height ::	2.5"		
Overall Height ::	4-50"		



Technical Specifications

Qualifications

Location Rating :: Dry
 Certification :: UL Listed (US/Canada)
 IES File ::
 JA8 Compliant :: No
 Energy Star :: No
 ADA Compliant :: No
 Marine Grade :: No
 Emergency Lighting :: No
 Warranty :: 5 Year Limited

Specifications

Frame Material :: Metal
 Diffuser Material :: Acrylic
 Voltage :: 120v
 Lamping Type :: Dedicated LED
 Lamping Base :: SSL
 Lamp Quantity :: 3
 Lamp Wattage :: 8 W
 Total Wattage :: 24w
 Lamps Included :: Yes
 J-Box Type :: Standard

Photometrics

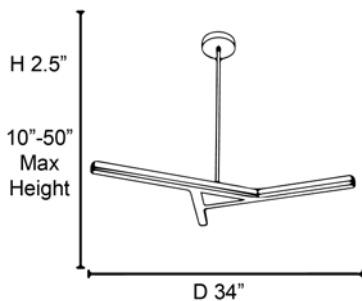
CCT :: 3200
 CRI :: 85
 Wattage :: 24w
 Nominal Lumens :: 2100Lm
 Delivered Lumens :: 1287Lm

Recommended Dimmers

(ELV) LUTRON Skylark SELV-300P; (MLV) LUTRON Diva DVLV-600P

Additional Items :: 0

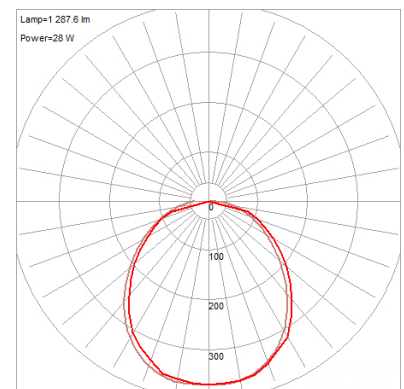
Line Drawing #1



Line Drawing #2

Image Not Available

IES File



Toll Free 800-828-5483 • www.AccessLighting.com

14410 Myford Road, Irvine, CA 92606

The information provided is subject to change without notice. ©2020 Access Lighting Corporation. All Rights Reserved
 Rev. 202004 Filename:: 63965LEDD-CH_ACR.pdf

