

Model No :: **63122LEDDL-CH/CLR**  
 Name :: Burst



Project Name :: \_\_\_\_\_  
 Location :: \_\_\_\_\_  
 Type :: \_\_\_\_\_  
 Quantity :: \_\_\_\_\_  
 Notes :: \_\_\_\_\_

**Product Information**

Product ID :: 63122  
 UPC Code :: 641594230215  
 Mounting Type :: Ceiling  
 Finish :: Chrome (CH)  
 Diffuser :: Clear (CLR)  
 Alt. Finishes :: Antique Bronze (ABRZ); Chrome (CH)  
 Alt. Diffusers :: Clear (CLR)

**Product Dimensions**

Fixture	Canopy
Length :: N/A	Length :: N/A
Width :: N/A	Width :: N/A
Diameter :: 28"	Diameter :: 4.75"
Extension :: N/A	Height :: N/A
Height :: 26.5"	
Overall Height :: 33-136"	



**Technical Specifications**

**Qualifications**

Location Rating :: Dry  
 Certification :: UL Listed (US/Canada)  
 IES File ::  
 JA8 Compliant :: No  
 Energy Star :: No  
 ADA Compliant :: No  
 Marine Grade :: No  
 Emergency Lighting :: No  
 Warranty :: 1 Year Limited

**Specifications**

Frame Material :: Metal  
 Diffuser Material :: Glass  
 Voltage :: 120v  
 Lamping Type :: Replaceable LED  
 Lamping Base :: G9  
 Lamp Quantity :: 9  
 Lamp Wattage :: 4.5 W  
 Total Wattage :: 40.5w  
 Lamps Included :: Yes  
 J-Box Type :: Standard

**Photometrics**

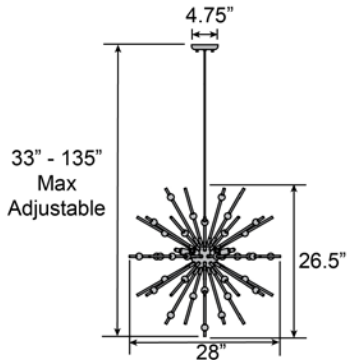
CCT :: 3000  
 CRI :: 80  
 Wattage :: 40.5w  
 Nominal Lumens :: 4050Lm  
 Delivered Lumens :: N/A

**Recommended Dimmers**

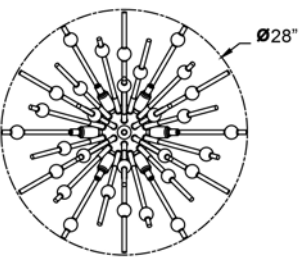
(ELV) LUTRON Diva DVELV-300P; (ELV) LUTRON Diva DVELV-303P; (ELV) LUTRON Skylark SELV-300P; (TRIAC) LUTRON Diva DVCL-153P

Additional Items :: 0

**Line Drawing #1**



**Line Drawing #2**



**IES File**

Image Not Available

**Toll Free 800-828-5483 • www.AccessLighting.com**

14410 Myford Road, Irvine, CA 92606  
 The information provided is subject to change without notice. ©2020 Access Lighting Corporation. All Rights Reserved  
 Rev. 202004 Filename:: 63122LEDDL-CH\_CLR.pdf

