

Model No :: **62560LEDDL-MS/STARRY**  
 Name :: Galaxy



Project Name :: \_\_\_\_\_  
 Location :: \_\_\_\_\_  
 Type :: \_\_\_\_\_  
 Quantity :: \_\_\_\_\_  
 Notes :: \_\_\_\_\_

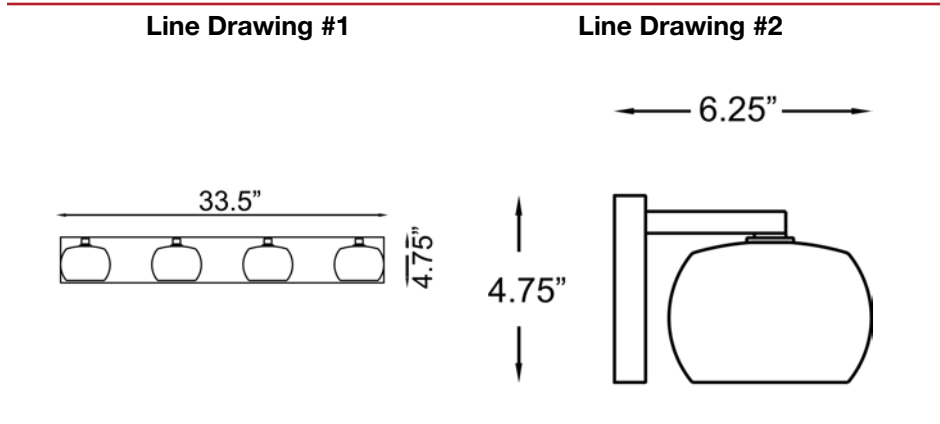
Product Information	
Product ID ::	62560
UPC Code ::	641594224726
Mounting Type ::	Wall
Finish ::	Mirrored Stainless Steel (MSS)
Diffuser ::	Starry Night (STARRY)
Alt. Finishes ::	Mirrored Stainless Steel (MSS)
Alt. Diffusers ::	Starry Night (STARRY)

Product Dimensions			
<b>Fixture</b>		<b>Canopy</b>	
Length ::	N/A	Length ::	N/A
Width ::	33.5"	Width ::	N/A
Diameter ::	N/A	Diameter ::	N/A
Extension ::	6.25"	Height ::	N/A
Height ::	4.75"		
Overall Height ::	N/A		



**Technical Specifications**

Qualifications	Specifications	Photometrics	Recommended Dimmers
Location Rating :: Damp	Frame Material :: Stainless Steel	CCT :: 3000	(ELV) LUTRON Caseta PD
Certification :: UL Listed (US/Canada)	Diffuser Material :: Glass	CRI :: 80	- 6WCL; (ELV) LUTRON
IES File ::	Voltage :: 120v	Wattage :: 18w	Maestro CL MACL-153M;
JA8 Compliant :: No	Lamping Type :: Replaceable LED	Nominal Lumens :: 1800Lm	(ELV) LUTRON Skylark Contour
Energy Star :: No	Lamping Base :: G9	Delivered Lumens :: N/A	CTCL-153P; (TRIAC) LEVITON
ADA Compliant :: No	Lamp Quantity :: 4	Additional Items :: 0	Decora Sureslide 6674; (TRIAC)
Marine Grade :: No	Lamp Wattage :: 4.5 W		LUTRON Diva DVCL-153P
Emergency Lighting :: No	Total Wattage :: 18w		
Warranty :: 1 Year Limited	Lamps Included :: Yes		
	J-Box Type :: Standard		



**IES File**

Image Not Available

**Toll Free 800-828-5483 • www.AccessLighting.com**

14410 Myford Road, Irvine, CA 92606  
 The information provided is subject to change without notice. ©2020 Access Lighting Corporation. All Rights Reserved  
 Rev. 202004    Filename:: 62560LEDDL-MS-STARRY.pdf

