

Model No :: **62511LEDD-BS/CSL**
 Name :: Perch



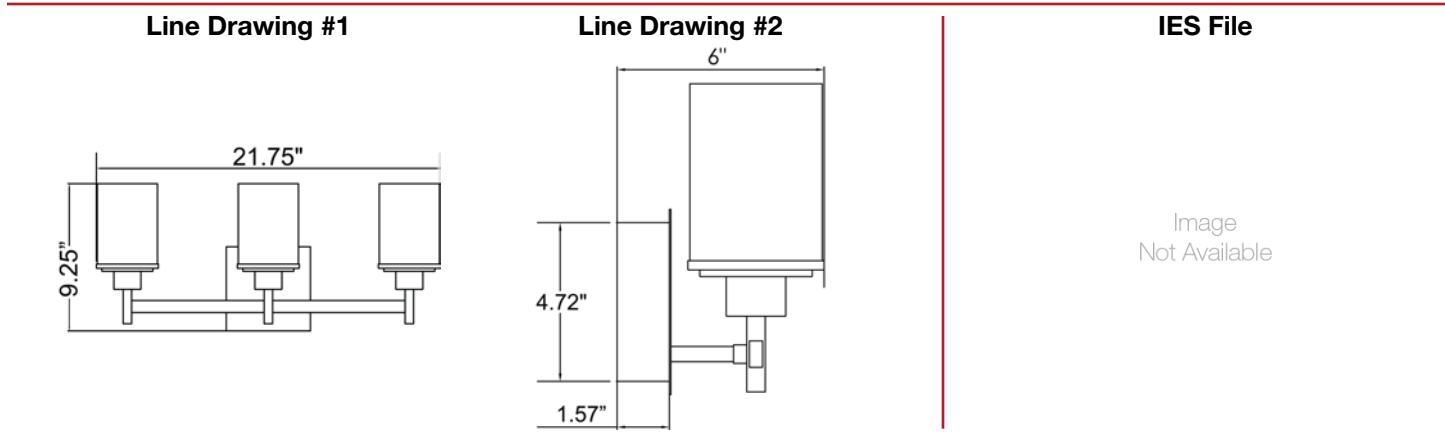
Project Name :: _____
 Location :: _____
 Type :: _____
 Quantity :: _____
 Notes :: _____

Product Information	
Product ID ::	62511
UPC Code ::	641594223552
Mounting Type ::	Wall
Finish ::	Brushed Steel (BS)
Diffuser ::	Cream Silk Lined (CSL)
Alt. Finishes ::	Brushed Steel (BS)
Alt. Diffusers ::	Cream Silk Lined (CSL)

Product Dimensions		
Fixture		Canopy
Length ::	N/A	Length :: 1.75"
Width ::	21.75"	Width :: 5.5"
Diameter ::	N/A	Diameter :: N/A
Extension ::	6"	Height :: 5.5"
Height ::	9.25"	
Overall Height ::	N/A	

Technical Specifications

Qualifications	Specifications	Photometrics	Recommended Dimmers
Location Rating :: Damp	Frame Material :: Metal	CCT :: 3000	(ELV) LUTRON Caseta PD
Certification :: ETL Listed (US/Canada)	Diffuser Material :: Glass	CRI :: 90	- 6WCL; (ELV) LUTRON
IES File ::	Voltage :: 120v	Wattage :: 15w	Maestro CL MACL-153M;
JA8 Compliant :: No	Lamping Type :: Dedicated	Nominal	(ELV) LUTRON Skylark Contour
Energy Star :: No	LED	Lumens :: 1710Lm	CTCL-153P; (TRIAC) LEVITON
ADA Compliant :: No	Lamping Base :: SSL	Delivered	Decora Sureslide 6674; (TRIAC)
Marine Grade :: No	Lamp Quantity :: 3	Lumens :: N/A	LUTRON Diva DVCL-153P
Emergency Lighting :: No	Lamp Wattage :: 5 W	Additional Items :: 0	
Warranty :: 5 Year Limited	Total Wattage :: 15w		
	Lamps Included :: Yes		
	J-Box Type :: Standard		



Toll Free 800-828-5483 • www.AccessLighting.com

14410 Myford Road, Irvine, CA 92606
 The information provided is subject to change without notice. ©2020 Access Lighting Corporation. All Rights Reserved
 Rev. 202004 Filename:: 62511LEDD-BS_CSL.pdf

