

Model No :: **62292LEDD-BS/OPL**
 Name :: Nitro2



Project Name :: _____
 Location :: _____
 Type :: _____
 Quantity :: _____
 Notes :: _____

Product Information

Product ID :: 62292
 UPC Code :: 641594210798
 Mounting Type :: Wall
 Finish :: Brushed Steel (BS)
 Diffuser :: Opal (OPL)
 Alt. Finishes :: Bronze (BRZ); Brushed Steel (BS)
 Alt. Diffusers :: Opal (OPL)

Product Dimensions

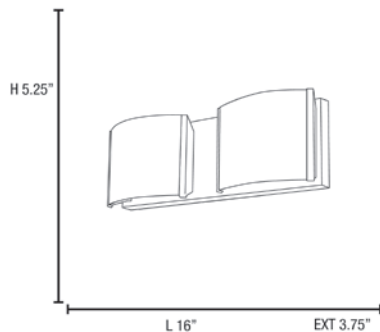
Fixture	Canopy
Length :: N/A	Length :: 15"
Width :: 16"	Width :: 5.25"
Diameter :: N/A	Diameter :: N/A
Extension :: 3.75"	Height :: 1"
Height :: 5.25"	
Overall Height :: N/A	



Technical Specifications

Qualifications	Specifications	Photometrics	Recommended Dimmers
Location Rating :: Damp	Frame Material :: Metal	CCT :: 3000	(ELV) LUTRON Diva DVELV-300P; (ELV) LUTRON Diva DVELV-303P; (ELV) LUTRON Skylark SELV-300P; (TRIAC) LUTRON Diva DV-600P
Certification :: UL Listed (US/Canada)	Diffuser Material:: Glass	CRI :: 90	
IES File ::	Voltage :: 120v	Wattage :: 18w	Additional Items :: 0
JA8 Compliant :: No	Lamping Type :: Dedicated LED	Nominal Lumens :: 1600Lm	
Energy Star :: No	Lamping Base :: SSL	Delivered Lumens :: N/A	
ADA Compliant :: Yes	Lamp Quantity :: 2		
Marine Grade :: No	Lamp Wattage :: 9 W		
Emergency Lighting :: No	Total Wattage :: 18w		
Warranty :: 5 Year Limited	Lamps Included :: Yes		
	J-Box Type :: Standard		

Line Drawing #1



Line Drawing #2

Image Not Available

IES File

Image Not Available

Toll Free 800-828-5483 • www.AccessLighting.com

14410 Myford Road, Irvine, CA 92606

The information provided is subject to change without notice. ©2020 Access Lighting Corporation. All Rights Reserved
 Rev. 202004 File name:: 62292LEDD-BS_OPL.pdf

