

Model No :: **62287-CH/CRY**  
 Name :: Evia



Project Name :: \_\_\_\_\_  
 Location :: \_\_\_\_\_  
 Type :: \_\_\_\_\_  
 Quantity :: \_\_\_\_\_  
 Notes :: \_\_\_\_\_

**Product Information**

Product ID :: 62287  
 UPC Code :: 641594191905  
 Mounting Type :: Wall  
 Finish :: Chrome (CH)  
 Diffuser :: Crystal (CRY)  
 Alt. Finishes :: Chrome (CH)  
 Alt. Diffusers :: Crystal (CRY)

**Product Dimensions**

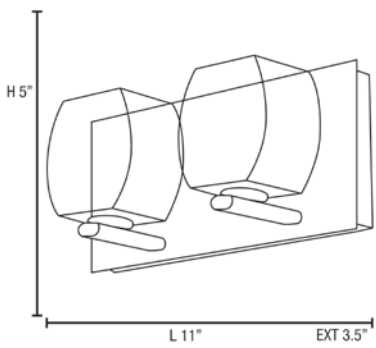
<b>Fixture</b>		<b>Canopy</b>
Length :: 11"		Length :: 11"
Width :: N/A		Width :: 4.75"
Diameter :: N/A		Diameter :: N/A
Extension :: 3.75"		Height :: 1"
Height :: 4.75"		
Overall Height :: N/A		



**Technical Specifications**

Qualifications	Specifications	Photometrics	Recommended Dimmers
Location Rating :: Damp	Frame Material :: Metal	CCT :: 2900	(TRIAC) Any Standard Dimmer
Certification :: UL Listed (US/Canada)	Diffuser Material :: Glass	CRI :: N/A	
IES File ::	Voltage :: 120v	Wattage :: 96w	
JA8 Compliant :: No	Lamping Type :: Xenon	Nominal Lumens :: 1480Lm	
Energy Star :: No	Lamping Base :: G9	Delivered Lumens :: N/A	
ADA Compliant :: Yes	Lamp Quantity :: 2	Additional Items :: Only Limited Quantities Available	
Marine Grade :: No	Lamp Wattage :: 48 W		
Emergency Lighting :: No	Total Wattage :: 96w		
Warranty :: 1 Year Limited	Lamps Included :: Yes		
	J-Box Type :: Standard		

**Line Drawing #1**



**Line Drawing #2**

Image Not Available

**IES File**

Image Not Available

**Toll Free 800-828-5483 • www.AccessLighting.com**

14410 Myford Road, Irvine, CA 92606  
 The information provided is subject to change without notice. ©2020 Access Lighting Corporation. All Rights Reserved  
 Rev. 202004 File name: 62287-CH\_CRY.pdf

