

Model No :: **52206-BS**
 Name :: Cobra



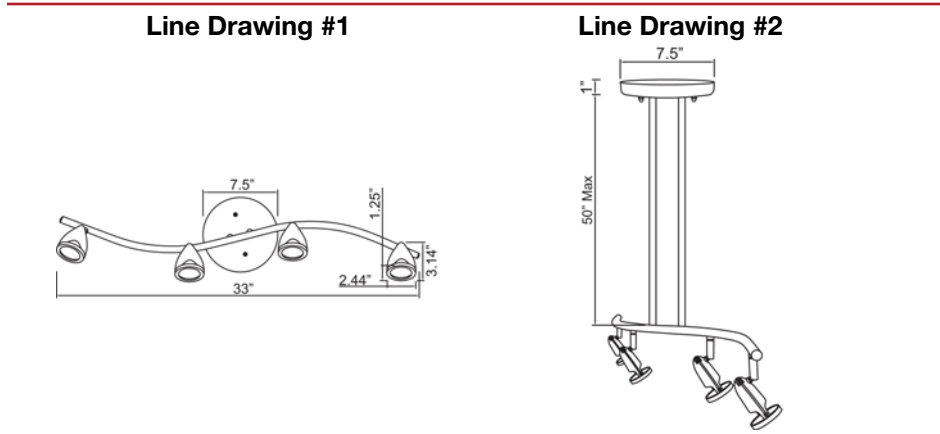
Project Name :: _____
 Location :: _____
 Type :: _____
 Quantity :: _____
 Notes :: _____

Product Information	
Product ID ::	52206
UPC Code ::	641594853780
Mounting Type ::	Ceiling
Finish ::	Brushed Steel (BS)
Diffuser ::	0
Alt. Finishes ::	Black (BL); Brushed Steel (BS)
Alt. Diffusers ::	0

Product Dimensions	
Fixture	Canopy
Length :: 33"	Length :: N/A
Width :: N/A	Width :: N/A
Diameter :: N/A	Diameter :: 7.5"
Extension :: N/A	Height :: 1"
Height :: 3.75"	
Overall Height :: 6-50"	

Technical Specifications

Qualifications	Specifications	Photometrics	Recommended Dimmers
Location Rating :: Dry	Frame Material :: Metal	CCT :: 0	(TRIAC) Any Standard Dimmer
Certification :: ETL Listed (US/Canada)	Diffuser Material :: 0	CRI :: N/A	
IES File ::	Voltage :: 120v	Wattage :: 200w	
JA8 Compliant :: No	Lamping Type :: Halogen	Nominal Lumens :: N/A	
Energy Star :: No	Lamping Base :: GU-10	Delivered Lumens :: N/A	
ADA Compliant :: No	Lamp Quantity :: 4	Additional Items :: 0	
Marine Grade :: No	Lamp Wattage :: 50 W		
Emergency Lighting :: No	Total Wattage :: 200w		
Warranty :: 1 Year Limited	Lamps Included :: No		
	J-Box Type :: Standard		



IES File

Image Not Available

Toll Free 800-828-5483 • www.AccessLighting.com

14410 Myford Road, Irvine, CA 92606
 The information provided is subject to change without notice. ©2020 Access Lighting Corporation. All Rights Reserved
 Rev. 202004 Filename: 52206-BS.pdf

