

Model No :: **52091LEDDL-BS/CLR**  
 Name :: Grand



Project Name :: \_\_\_\_\_  
 Location :: \_\_\_\_\_  
 Type :: \_\_\_\_\_  
 Quantity :: \_\_\_\_\_  
 Notes :: \_\_\_\_\_

**Product Information**

Product ID :: 52091  
 UPC Code :: 641594223446  
 Mounting Type :: Ceiling  
 Finish :: Brushed Steel (BS)  
 Diffuser :: Clear (CLR)  
 Alt. Finishes :: Brushed Brass (BB); Brushed Steel (BS)  
 Alt. Diffusers :: Clear (CLR)

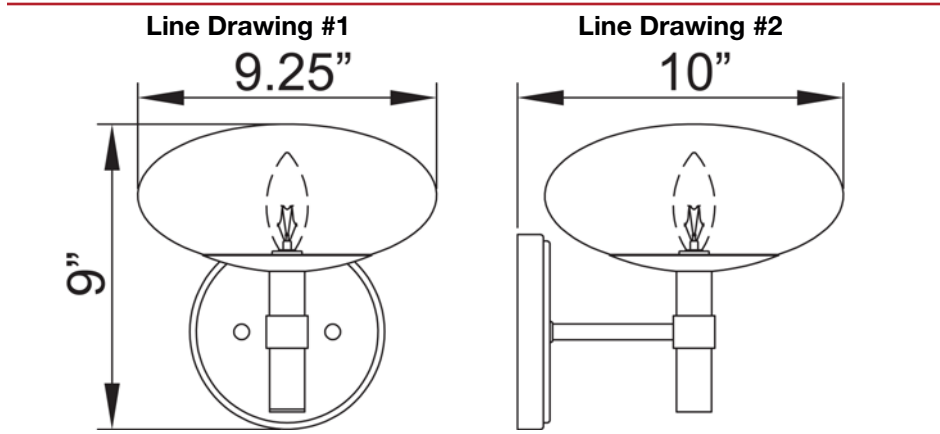
**Product Dimensions**

Fixture	Canopy
Length :: N/A	Length :: N/A
Width :: 9.25"	Width :: N/A
Diameter :: N/A	Diameter :: 5.75"
Extension :: 10"	Height :: 1"
Height :: 9"	
Overall Height :: N/A	



**Technical Specifications**

Qualifications	Specifications	Photometrics	Recommended Dimmers
Location Rating :: Dry	Frame Material :: Metal	CCT :: 2700	(ELV) LUTRON Diva DVELV-300P; (ELV) LUTRON Diva DVELV-303P; (ELV) LUTRON Skylark SELV-300P; (TRIAC) LEVITON Trimatron 6684
Certification :: UL Listed (US/Canada)	Diffuser Material :: Glass	CRI :: 90	
IES File ::	Voltage :: 120v	Wattage :: 4w	Delivered Lumens :: N/A
JA8 Compliant :: Yes	Lamping Type :: Replaceable LED	Nominal Lumens :: 300Lm	
Energy Star :: No	Lamping Base :: E-12	Delivered Lumens :: N/A	Additional Items :: 0
ADA Compliant :: No	Lamp Quantity :: 1		
Marine Grade :: No	Lamp Wattage :: 4 W		
Emergency Lighting :: No	Total Wattage :: 4w		
Warranty :: 1 Year Limited	Lamps Included :: Yes		
	J-Box Type :: Standard		



**IES File**

Image Not Available

Toll Free 800-828-5483 • [www.AccessLighting.com](http://www.AccessLighting.com)

14410 Myford Road, Irvine, CA 92606  
 The information provided is subject to change without notice. ©2020 Access Lighting Corporation. All Rights Reserved  
 Rev. 202004 Filename: 52091LEDDL-BS\_CLR.pdf

