

Model No :: **50942LEDD-WH/ACR**
 Name :: Radiant



Project Name :: _____
 Location :: _____
 Type :: _____
 Quantity :: _____
 Notes :: _____

Product Information

Product ID :: 50942
 UPC Code :: 641594229226
 Mounting Type :: Ceiling
 Finish :: White (WH)
 Diffuser :: Acrylic Lens (ACR)
 Alt. Finishes :: Gray (GRY); White (WH)
 Alt. Diffusers :: Acrylic Lens (ACR)

Product Dimensions

Fixture	Canopy
Length :: N/A	Length :: N/A
Width :: N/A	Width :: N/A
Diameter :: 15"	Diameter :: 9"
Extension :: N/A	Height :: 2.25"
Height :: 8"	
Overall Height :: 10-130"	



Technical Specifications

Qualifications

Location Rating :: Damp
 Certification :: UL Listed (US/Canada)
 IES File ::
 JA8 Compliant :: No
 Energy Star :: No
 ADA Compliant :: No
 Marine Grade :: No
 Emergency Lighting :: No
 Warranty :: 5 Year Limited

Specifications

Frame Material :: Aluminum
 Diffuser Material :: Acrylic
 Voltage :: 120-277v
 Lamping Type :: Dedicated LED
 Lamping Base :: SSL
 Lamp Quantity :: 1
 Lamp Wattage :: 21 W
 Total Wattage :: 21w
 Lamps Included :: Yes
 J-Box Type :: Standard

Photometrics

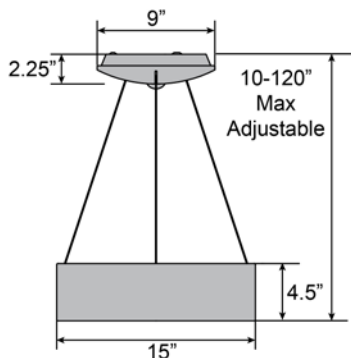
CCT :: 3000
 CRI :: 85
 Wattage :: 21w
 Nominal Lumens :: 1400Lm
 Delivered Lumens :: 708Lm

Recommended Dimmers

0

Additional Items :: 120-277v

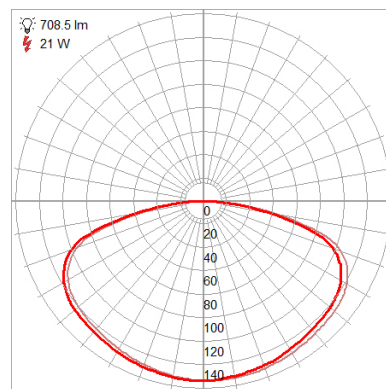
Line Drawing #1



Line Drawing #2

Image Not Available

IES File



Toll Free 800-828-5483 • www.AccessLighting.com

14410 Myford Road, Irvine, CA 92606

The information provided is subject to change without notice. ©2020 Access Lighting Corporation. All Rights Reserved
 Rev. 202004 Filename:: 50942LEDD-WH_ACR.pdf

