

Model No :: **50465LEDD-BS/FST**  
 Name :: Oracle



Project Name :: \_\_\_\_\_  
 Location :: \_\_\_\_\_  
 Type :: \_\_\_\_\_  
 Quantity :: \_\_\_\_\_  
 Notes :: \_\_\_\_\_

**Product Information**

Product ID :: 50465  
 UPC Code :: 641594210569  
 Mounting Type :: Ceiling  
 Finish :: Brushed Steel (BS)  
 Diffuser :: Frosted (FST)  
 Alt. Finishes :: Brushed Steel (BS)  
 Alt. Diffusers :: Frosted (FST)

**Product Dimensions**

Fixture	Canopy
Length :: N/A	Length :: N/A
Width :: 2.5"	Width :: N/A
Diameter :: 22"	Diameter :: N/A
Extension :: N/A	Height :: 1.75"
Height :: 3"	
Overall Height :: 5-120"	

**Technical Specifications**

**Qualifications**

Location Rating :: Damp  
 Certification :: UL Listed (US/Canada)  
 IES File ::  
 JA8 Compliant :: No  
 Energy Star :: No  
 ADA Compliant :: No  
 Marine Grade :: No  
 Emergency Lighting :: No  
 Warranty :: 5 Year Limited

**Specifications**

Frame Material :: Metal  
 Diffuser Material :: Glass  
 Voltage :: 120v  
 Lamping Type :: Dedicated LED  
 Lamping Base :: SSL  
 Lamp Quantity :: 6  
 Lamp Wattage :: 6.3 W  
 Total Wattage :: 37.8w  
 Lamps Included :: Yes  
 J-Box Type :: Standard

**Photometrics**

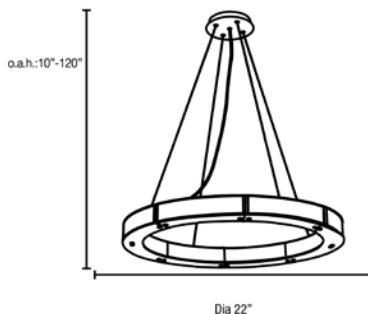
CCT :: 3000  
 CRI :: 80  
 Wattage :: 37.8w  
 Nominal Lumens :: 4180Lm  
 Delivered Lumens :: N/A

**Recommended Dimmers**

(ELV) LUTRON Maestro CL  
 MACL-153M; (TRIAC) LUTRON  
 Diva DV-600P; (TRIAC)  
 LUTRON Diva DVCL-153P

Additional Items :: Also available in 277v

**Line Drawing #1**



**Line Drawing #2**

Image Not Available

**IES File**

Image Not Available

**Toll Free 800-828-5483 • www.AccessLighting.com**

14410 Myford Road, Irvine, CA 92606

The information provided is subject to change without notice. ©2020 Access Lighting Corporation. All Rights Reserved  
 Rev. 202004 Filename:: 50465LEDD-BS\_FST.pdf

