

Model No :: **50037LEDD-BS/FST**
 Name :: Vision Round



Project Name :: _____
 Location :: _____
 Type :: _____
 Quantity :: _____
 Notes :: _____

Product Information

Product ID :: 50037
 UPC Code :: 641594200713
 Mounting Type :: Ceiling or Wall
 Finish :: Brushed Steel (BS)
 Diffuser :: Frosted (FST)
 Alt. Finishes :: Brushed Steel (BS)
 Alt. Diffusers :: Frosted (FST)

Product Dimensions

Fixture		Canopy	
Length ::	N/A	Length ::	N/A
Width ::	N/A	Width ::	N/A
Diameter ::	11.75"	Diameter ::	N/A
Extension ::	N/A	Height ::	1.25"
Height ::	3.25"		
Overall Height ::	N/A		



Technical Specifications

Qualifications

Location Rating :: Damp
 Certification :: UL Listed (US/Canada)
 IES File ::
 JA8 Compliant :: Yes
 Energy Star :: Yes
 ADA Compliant :: No
 Marine Grade :: No
 Emergency Lighting :: No
 Warranty :: 5 Year Limited

Specifications

Frame Material :: Metal
 Diffuser Material :: Glass
 Voltage :: 120v
 Lamping Type :: Dedicated LED
 Lamping Base :: SSL
 Lamp Quantity :: 1
 Lamp Wattage :: 17 W
 Total Wattage :: 17w
 Lamps Included :: Yes
 J-Box Type :: Standard

Photometrics

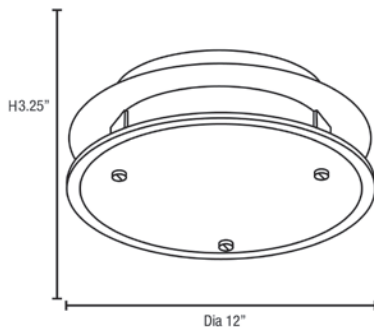
CCT :: 3000
 CRI :: 90
 Wattage :: 17w
 Nominal Lumens :: 1440Lm
 Delivered Lumens :: 915Lm

Recommended Dimmers

(ELV) LEGRAND Paddle ADPD453LM2; (ELV) LEVITON Renoir II AWSMT-EA; (ELV) LUTRON Diva DVELV-300P; (ELV) LUTRON Diva DVELV-303P; (ELV) LUTRON Skylark SELV-300P; (TRIAC) LUTRON Diva DV-600P

Additional Items :: Available in Warm Dimming, Alt Color Temperatures Available, Available in 0-10V Dimming, Available in 277V

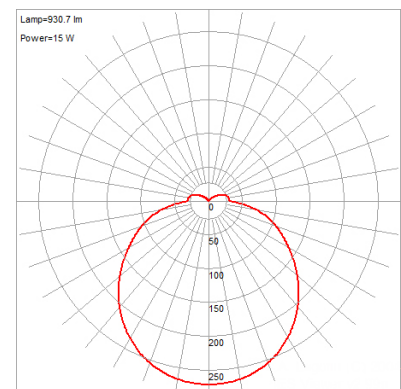
Line Drawing #1



Line Drawing #2

Image Not Available

IES File



Toll Free 800-828-5483 • www.AccessLighting.com

14410 Myford Road, Irvine, CA 92606

The information provided is subject to change without notice. ©2020 Access Lighting Corporation. All Rights Reserved
 Rev. 202004 File name:: 50037LEDD-BS_FST.pdf

