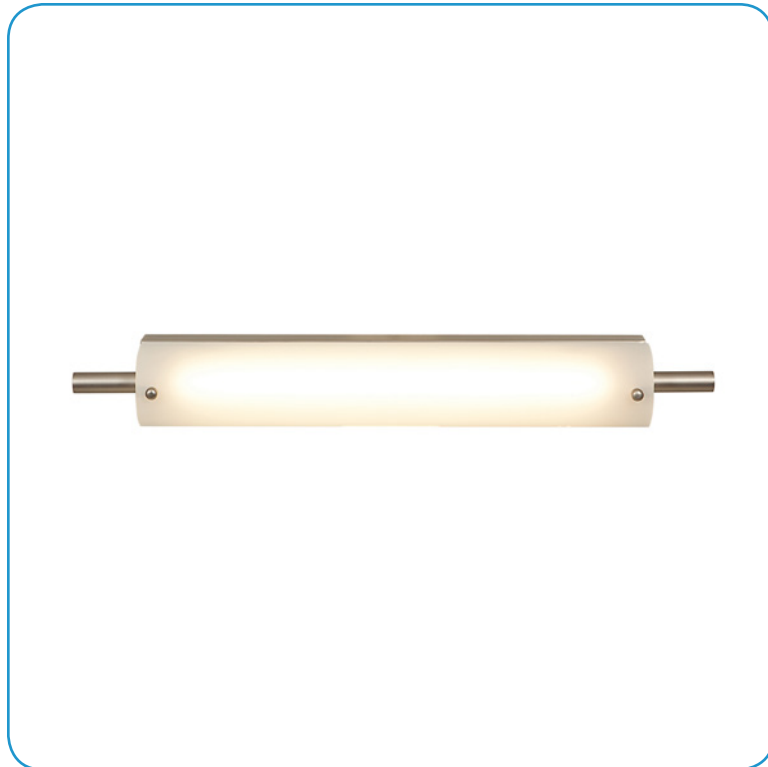


Model No :: **31007-BS**  
 Name :: Vail



Project Name :: \_\_\_\_\_  
 Location :: \_\_\_\_\_  
 Type :: \_\_\_\_\_  
 Quantity :: \_\_\_\_\_  
 Notes :: \_\_\_\_\_

**Product Information**

Product ID :: 31007  
 UPC Code :: 641594176452  
 Mounting Type :: Wall  
 Finish :: Brushed Steel (BS)  
 Diffuser :: N/A

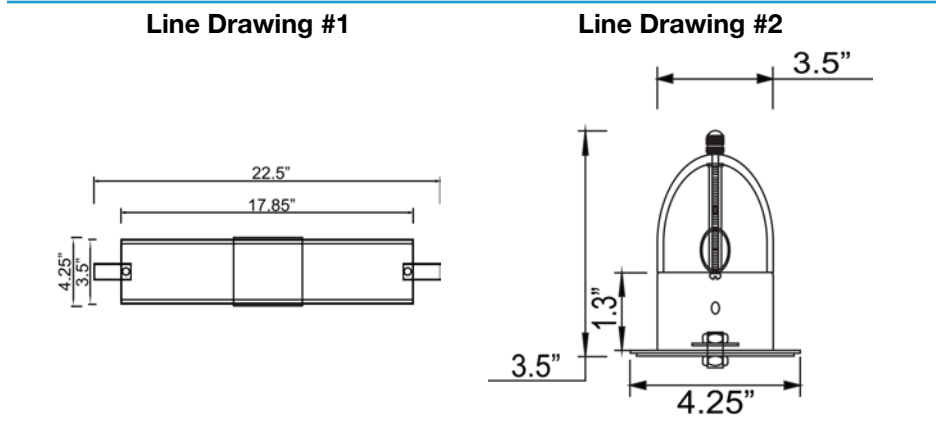
*See Page 2 for Custom Product Options*

**Product Dimensions**

Fixture	Canopy
Length :: N/A	Length :: N/A
Width :: 22.5"	Width :: N/A
Diameter :: N/A	Diameter :: N/A
Extension :: 3.5"	Height :: N/A
Height :: 3.5"	
Overall Height :: N/A	

**Technical Specifications**

Qualifications	Specifications	Voltage	Recommended Dimmers
Location Rating :: Wall	Frame Material :: Steel	Voltage :: N/A	N/A
Certification :: N/A	Diffuser Material :: Glass		
IES File :: No	Lamping Type :: N/A	<b>Photometrics</b>	
Title 24 :: No	Lamping Base :: N/A	CCT :: N/A	
Energy Star :: No	Lamp Quantity :: N/A	CRI :: N/A	
ADA Compliant :: No	Lamp Wattage :: N/A	Wattage :: N/A	
Marine Grade :: No	Total Wattage :: N/A	Nominal Lumens :: N/A	
Emergency Lighting :: No	Lamps Included :: No	Delivered Lumens :: N/A	
Warranty :: 1 Year Manufacture	J-Box Type :: Standard 4		



**IES File**

Image Not Available

**Toll Free 800-828-5483 or www.AccessLighting.com**

14410 Myford Road, Irvine, CA 92606

The information provided is subject to change without notice. ©2018 Access Lighting Corporation. All Rights Reserved  
 Rev. 4/6/2018 Filename:: 31007-BS.pdf

