

Model No :: **31002LEDSWAD-BS/OPL**  
 Name :: Vail



Project Name :: \_\_\_\_\_  
 Location :: \_\_\_\_\_  
 Type :: \_\_\_\_\_  
 Quantity :: \_\_\_\_\_  
 Notes :: \_\_\_\_\_

**Product Information**

Product ID :: 31002  
 UPC Code :: 641594227895  
 Mounting Type :: Wall  
 Finish :: Brushed Steel (BS)  
 Diffuser :: Opal (OPL)  
 Alt. Finishes :: Brushed Steel (BS)  
 Alt. Diffusers :: Opal (OPL)

**Product Dimensions**

Fixture	Canopy
Length :: N/A	Length :: 25.75"
Width :: 30.25"	Width :: 3"
Diameter :: N/A	Diameter :: N/A
Extension :: 3.25"	Height :: 1.5"
Height :: 4.25"	
Overall Height :: N/A	



**Technical Specifications**

**Qualifications**

Location Rating :: Damp  
 Certification :: UL Listed (US/Canada)  
 IES File ::  
 JA8 Compliant :: No  
 Energy Star :: No  
 ADA Compliant :: Yes  
 Marine Grade :: No  
 Emergency Lighting :: No  
 Warranty :: 5 Year Limited

**Specifications**

Frame Material :: Metal  
 Diffuser Material :: Glass  
 Voltage :: 120-240v  
 Lamping Type :: Dedicated LED  
 Lamping Base :: Smart SSL  
 Lamp Quantity :: 1  
 Lamp Wattage :: 20 W  
 Total Wattage :: 20w  
 Lamps Included :: Yes  
 J-Box Type :: Standard

**Photometrics**

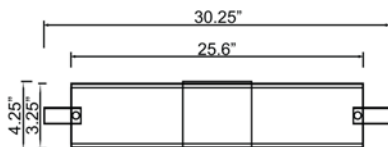
CCT :: 2000-  
 CRI :: N/A  
 Wattage :: 20w  
 Nominal Lumens :: 1600Lm  
 Delivered Lumens :: N/A

**Recommended Dimmers**

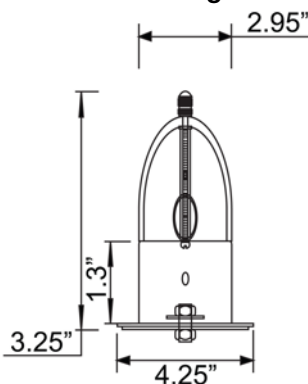
(Remote Control) Philips Hue Wireless Dimmer Provided

Additional Items :: Provided with a Wireless Dimmer, For APP and Voice Control a Philips Hue bridge is required (Sold Separately)

**Line Drawing #1**



**Line Drawing #2**



**IES File**

Image Not Available

**Toll Free 800-828-5483 • www.AccessLighting.com**

14410 Myford Road, Irvine, CA 92606

The information provided is subject to change without notice. ©2020 Access Lighting Corporation. All Rights Reserved  
 Rev. 202004 Filename:: 31002LEDSWAD-BS\_OPL.pdf

