

Model No :: **31000LEDSWAD-BS/OPL**
 Name :: Vail



Project Name :: _____
 Location :: _____
 Type :: _____
 Quantity :: _____
 Notes :: _____

Product Information

Product ID :: 31000
 UPC Code :: 641594227925
 Mounting Type :: Wall
 Finish :: Brushed Steel (BS)
 Diffuser :: Opal (OPL)
 Alt. Finishes :: Brushed Steel (BS)
 Alt. Diffusers :: Opal (OPL)

Product Dimensions

Fixture		Canopy
Length ::	N/A	Length :: 25.5"
Width ::	25.5"	Width :: 3"
Diameter ::	N/A	Diameter :: N/A
Extension ::	3.25"	Height :: 1.5"
Height ::	4.25"	
Overall Height ::	N/A	



Technical Specifications

Qualifications

Location Rating :: Damp
 Certification :: UL Listed (US/Canada)
 IES File ::
 JA8 Compliant :: No
 Energy Star :: No
 ADA Compliant :: Yes
 Marine Grade :: No
 Emergency Lighting :: No
 Warranty :: 5 Year Limited

Specifications

Frame Material :: Metal
 Diffuser Material :: Glass
 Voltage :: 120-240v
 Lamping Type :: Dedicated LED
 Lamping Base :: Smart SSL
 Lamp Quantity :: 1
 Lamp Wattage :: 20 W
 Total Wattage :: 20w
 Lamps Included :: Yes
 J-Box Type :: Standard

Photometrics

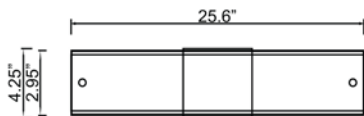
CCT :: 2200-
 CRI :: 90
 Wattage :: 20w
 Nominal Lumens :: 1600Lm
 Delivered Lumens :: N/A

Recommended Dimmers

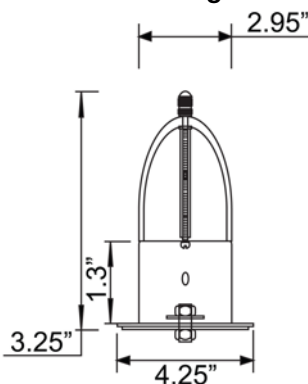
(Remote Control) Philips Hue Wireless Dimmer Provided

Additional Items :: Provided with a Wireless Dimmer, For APP and Voice Control a Philips Hue bridge is required (Sold Separately)

Line Drawing #1



Line Drawing #2



IES File

Image Not Available

Toll Free 800-828-5483 • www.AccessLighting.com

14410 Myford Road, Irvine, CA 92606

The information provided is subject to change without notice. ©2020 Access Lighting Corporation. All Rights Reserved
 Rev. 202004 Filename:: 31000LEDSWAD-BS_OPL.pdf

