

Model No :: **31000LEDD-BS/OPL**
 Name :: Vail



Project Name :: _____
 Location :: _____
 Type :: _____
 Quantity :: _____
 Notes :: _____

Product Information

Product ID :: 31000
 UPC Code :: 641594185614
 Mounting Type :: Wall
 Finish :: Brushed Steel (BS)
 Diffuser :: Opal (OPL)
 Alt. Finishes :: Brushed Steel (BS)
 Alt. Diffusers :: Opal (OPL)

Product Dimensions

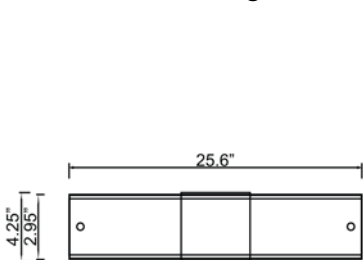
Fixture	Canopy
Length :: N/A	Length :: 25.5"
Width :: 25.5"	Width :: 3"
Diameter :: N/A	Diameter :: N/A
Extension :: 3.25"	Height :: 1.5"
Height :: 4.25"	
Overall Height :: N/A	



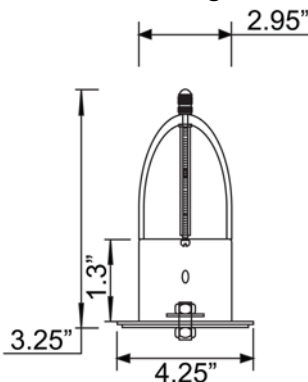
Technical Specifications

Qualifications	Specifications	Photometrics	Recommended Dimmers
Location Rating :: Damp	Frame Material :: Metal	CCT :: 3000	(ELV) LUTRON Diva DVELV-300P; (ELV) LUTRON Diva DVELV-303P; (ELV) LUTRON Skylark SELV-300P; (TRIAC) LUTRON Diva DV-600P
Certification :: UL Listed (US/Canada)	Diffuser Material:: Glass	CRI :: 90	
IES File ::	Voltage :: 120v	Wattage :: 30w	
JA8 Compliant :: Yes	Lamping Type :: Dedicated LED	Nominal Lumens :: 3040Lm	
Energy Star :: Yes	Lamping Base :: SSL	Delivered Lumens :: 2517Lm	
ADA Compliant :: Yes	Lamp Quantity :: 1		
Marine Grade :: No	Lamp Wattage :: 30 W		
Emergency Lighting :: No	Total Wattage :: 30w		
Warranty :: 5 Year Limited	Lamps Included :: Yes		
	J-Box Type :: Standard		
		Additional Items :: Alt Color Temperatures Available, Available in 0-10V Dimming, Available in 277V	

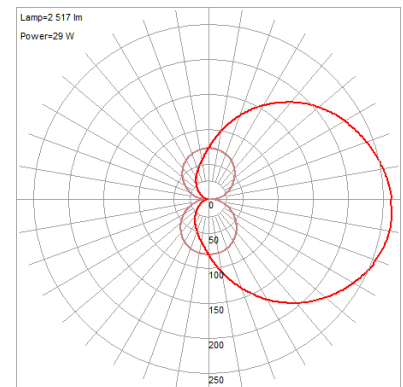
Line Drawing #1



Line Drawing #2



IES File



Toll Free 800-828-5483 • www.AccessLighting.com

14410 Myford Road, Irvine, CA 92606

The information provided is subject to change without notice. ©2020 Access Lighting Corporation. All Rights Reserved
 Rev. 202004 File name:: 31000LEDD-BS_OPL.pdf

