

Model No :: **23021GU-BS/WH**
 Name :: Mona



Project Name :: _____
 Location :: _____
 Type :: _____
 Quantity :: _____
 Notes :: _____

Product Information

Product ID :: 23021
 UPC Code :: 641594162592
 Mounting Type :: Ceiling
 Finish :: Brushed Steel (BS)
 Diffuser :: White (WHT)
 Alt. Finishes :: Brushed Steel (BS); White (WH)
 Alt. Diffusers :: Alabaster (ALB); White (WHT)

Product Dimensions

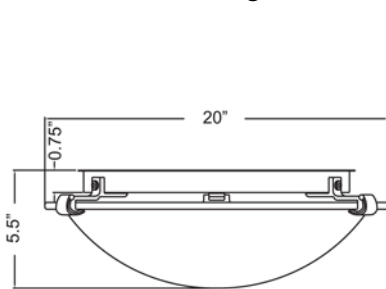
Fixture	Canopy
Length :: N/A	Length :: N/A
Width :: N/A	Width :: N/A
Diameter :: 20"	Diameter :: N/A
Extension :: N/A	Height :: N/A
Height :: 5.5"	
Overall Height :: N/A	



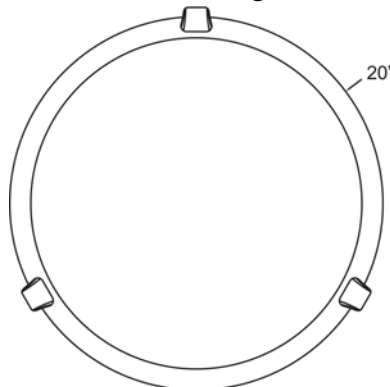
Technical Specifications

Qualifications	Specifications	Photometrics	Recommended Dimmers
Location Rating :: Damp	Frame Material :: Steel	CCT :: 2700	0
Certification :: UL Listed (US/Canada)	Diffuser Material :: Glass	CRI :: N/A	
IES File ::	Voltage :: 120v	Wattage :: 39w	
JA8 Compliant :: No	Lamping Type :: Fluorescent	Nominal Lumens :: 2700Lm	
Energy Star :: No	Lamping Base :: GU-24	Delivered Lumens :: N/A	
ADA Compliant :: No	Lamp Quantity :: 3	Additional Items :: 0	
Marine Grade :: No	Lamp Wattage :: 13 W		
Emergency Lighting :: No	Total Wattage :: 39w		
Warranty :: 1 Year Limited	Lamps Included :: No		
	J-Box Type :: Standard		

Line Drawing #1



Line Drawing #2



IES File

Image Not Available

Toll Free 800-828-5483 • www.AccessLighting.com

14410 Myford Road, Irvine, CA 92606

The information provided is subject to change without notice. ©2020 Access Lighting Corporation. All Rights Reserved
 Rev. 202004 Filename:: 23021GU-BS_WH.pdf

