

Model No :: **23020GU-CH/WH**  
 Name :: Mona



Project Name :: \_\_\_\_\_  
 Location :: \_\_\_\_\_  
 Type :: \_\_\_\_\_  
 Quantity :: \_\_\_\_\_  
 Notes :: \_\_\_\_\_

**Product Information**

Product ID :: 23020  
 UPC Code :: 641594204643  
 Mounting Type :: Ceiling  
 Finish :: Chrome (CH)  
 Diffuser :: White (WHT)

*See Page 2 for Custom Product Options*

**Product Dimensions**

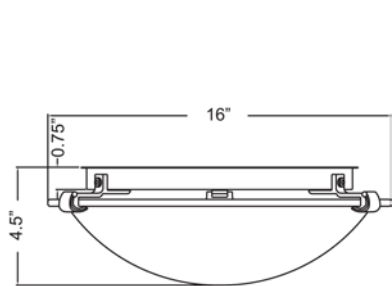
Fixture	Canopy
Length :: N/A	Length :: N/A
Width :: N/A	Width :: N/A
Diameter :: 16"	Diameter :: N/A
Extension :: N/A	Height :: N/A
Height :: 4.5"	
Overall Height :: N/A	



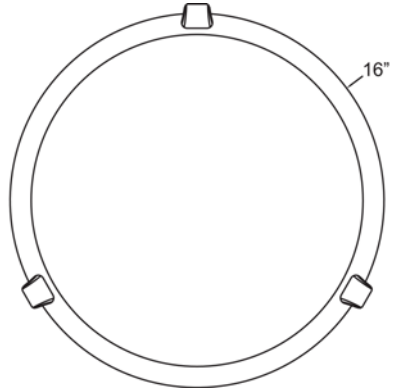
**Technical Specifications**

Qualifications	Specifications	Voltage	Recommended Dimmers
Location Rating :: Ceiling	Frame Material :: Steel	Voltage :: 120v	N/A
Certification :: cULus	Diffuser Material :: Glass		
IES File :: No	Lamping Type :: N/A	<b>Photometrics</b>	
Title 24 :: No	Lamping Base :: GU-24	CCT :: 2700K	
Energy Star :: No	Lamp Quantity :: 2	CRI :: N/A	
ADA Compliant :: No	Lamp Wattage :: 13 W	Wattage :: 13	
Marine Grade :: No	Total Wattage :: 26 W	Nominal Lumens :: 1800	
Emergency Lighting :: No	Lamps Included :: No	Delivered Lumens :: N/A	
Warranty :: 1 Year Manufacture	J-Box Type :: Standard 4		

**Line Drawing #1**



**Line Drawing #2**



**IES File**

Image  
Not Available

**Toll Free 800-828-5483 or www.AccessLighting.com**

14410 Myford Road, Irvine, CA 92606  
 The information provided is subject to change without notice. ©2018 Access Lighting Corporation. All Rights Reserved  
 Rev. 4/6/2018 Filename:: 23020GU-CH\_WH.pdf

