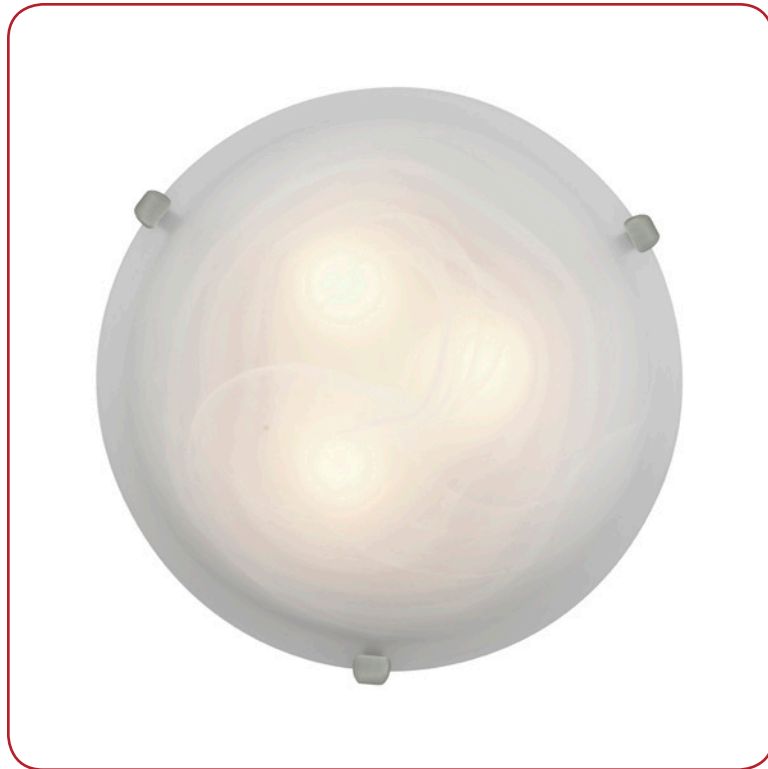


Model No :: **23019-BS/ALB**
 Name :: Mona



Project Name :: _____
 Location :: _____
 Type :: _____
 Quantity :: _____
 Notes :: _____

Product Information

Product ID :: 23019
 UPC Code :: 641594004014
 Mounting Type :: Ceiling
 Finish :: Brushed Steel (BS)
 Diffuser :: Alabaster (ALB)
 Alt. Finishes :: Brushed Steel (BS); White (WH)
 Alt. Diffusers :: Alabaster (ALB); White (WHT)

Product Dimensions

Fixture	Canopy
Length :: N/A	Length :: N/A
Width :: N/A	Width :: N/A
Diameter :: 12"	Diameter :: N/A
Extension :: N/A	Height :: N/A
Height :: 4.25"	
Overall Height :: N/A	



Technical Specifications

Qualifications

Location Rating :: Dry
 Certification :: UL Listed (US/Canada)
 IES File ::
 JA8 Compliant :: No
 Energy Star :: No
 ADA Compliant :: No
 Marine Grade :: No
 Emergency Lighting :: No
 Warranty :: 1 Year Limited

Specifications

Frame Material :: Steel
 Diffuser Material :: Glass
 Voltage :: 120v
 Lamping Type :: Incandescent
 Lamping Base :: E-12
 Lamp Quantity :: 2
 Lamp Wattage :: 60 W
 Total Wattage :: 120w
 Lamps Included :: No
 J-Box Type :: Standard

Photometrics

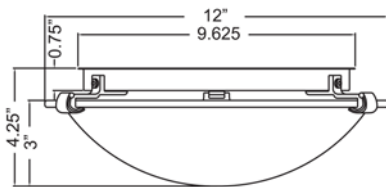
CCT :: 2700
 CRI :: N/A
 Wattage :: 120w
 Nominal Lumens :: 1600Lm
 Delivered Lumens :: N/A

Recommended Dimmers

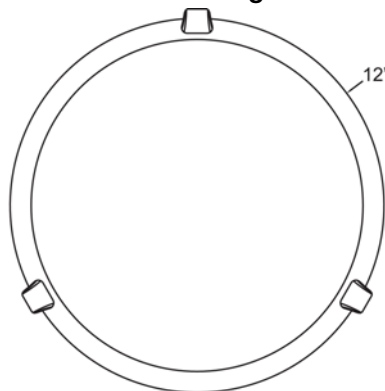
(TRIAC) Any Standard Dimmer

Additional Items :: Only Limited Quantities Available

Line Drawing #1



Line Drawing #2



IES File

Image Not Available

Toll Free 800-828-5483 • www.AccessLighting.com

14410 Myford Road, Irvine, CA 92606

The information provided is subject to change without notice. ©2020 Access Lighting Corporation. All Rights Reserved
 Rev. 202004 Filename:: 23019-BS_ALB.pdf

