

Model No :: **20789LED-BL**
 Name :: Adapt



Project Name :: _____
 Location :: _____
 Type :: _____
 Quantity :: _____
 Notes :: _____

Product Information

Product ID :: 20789
 UPC Code :: 641594210613
 Mounting Type :: Wall
 Finish :: Black (BL)
 Diffuser :: Clear (CLR)
 Alt. Finishes :: Black (BL); Bronze (BRZ); White (WH)
 Alt. Diffusers :: Clear (CLR)

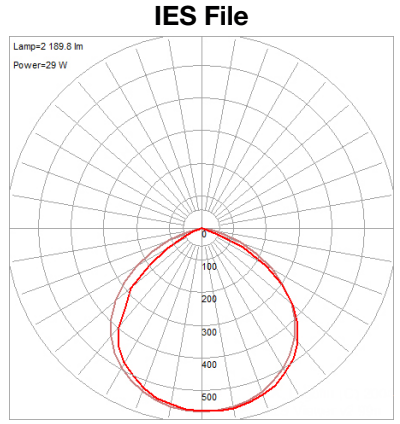
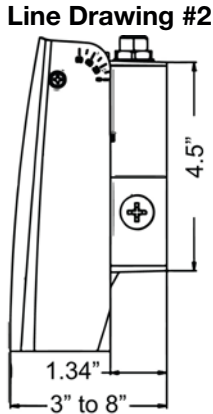
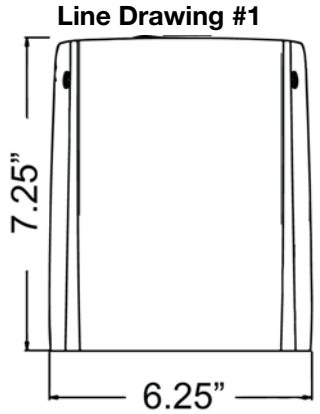
Product Dimensions

Fixture	Canopy
Length :: N/A	Length :: N/A
Width :: 6.25"	Width :: N/A
Diameter :: N/A	Diameter :: N/A
Extension :: 3-8"	Height :: N/A
Height :: 7.25"	
Overall Height :: N/A	



Technical Specifications

Qualifications	Specifications	Photometrics	Recommended Dimmers
Location Rating :: Wet	Frame Material :: Metal	CCT :: 4000	0
Certification :: UL Listed (US/Canada)	Diffuser Material :: Glass	CRI :: 80	
IES File ::	Voltage :: 120-277v	Wattage :: 30w	
JA8 Compliant :: No	Lamping Type :: Dedicated LED	Nominal Lumens :: 2500Lm	
Energy Star :: No	Lamping Base :: SSL	Delivered Lumens :: 2189Lm	
ADA Compliant :: No	Lamp Quantity :: 1		
Marine Grade :: No	Lamp Wattage :: 30 W		
Emergency Lighting :: No	Total Wattage :: 30w		
Warranty :: 5 Year Limited	Lamps Included :: Yes		
	J-Box Type :: Standard		
		Additional Items :: Outdoor Installation California Energy Commission (CEC) Compliant (Title 24)	



Toll Free 800-828-5483 • www.AccessLighting.com

14410 Myford Road, Irvine, CA 92606
 The information provided is subject to change without notice. ©2020 Access Lighting Corporation. All Rights Reserved
 Rev. 202004 Filename: 20789LED-BL.pdf

