

Model No :: **20451LEDDL-BS/OPL**  
 Name :: Vector



Project Name :: \_\_\_\_\_  
 Location :: \_\_\_\_\_  
 Type :: \_\_\_\_\_  
 Quantity :: \_\_\_\_\_  
 Notes :: \_\_\_\_\_

**Product Information**

Product ID :: 20451  
 UPC Code :: 641594227444  
 Mounting Type :: Wall  
 Finish :: Brushed Steel (BS)  
 Diffuser :: Opal (OPL)  
 Alt. Finishes :: Brushed Steel (BS)  
 Alt. Diffusers :: Opal (OPL)

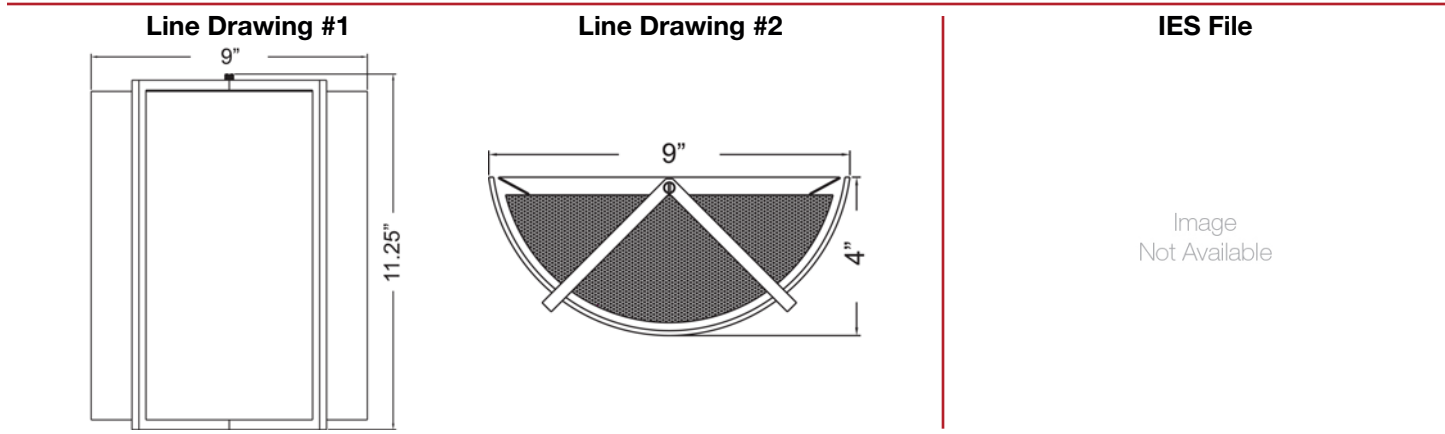
**Product Dimensions**

Fixture	Canopy
Length :: N/A	Length :: N/A
Width :: 9"	Width :: N/A
Diameter :: N/A	Diameter :: N/A
Extension :: 4"	Height :: N/A
Height :: 11.25"	
Overall Height :: N/A	



**Technical Specifications**

Qualifications	Specifications	Photometrics	Recommended Dimmers
Location Rating :: Damp	Frame Material :: Metal	CCT :: 3000	(ELV) LUTRON Diva DVELV-300P; (ELV) LUTRON Diva DVELV-303P; (ELV) LUTRON Skylark SELV-300P
Certification :: UL Listed (US/Canada)	Diffuser Material :: Glass	CRI :: 90	
IES File ::	Voltage :: 120v	Wattage :: 20w	
JA8 Compliant :: Yes	Lamping Type :: Replaceable LED	Nominal Lumens :: 1600Lm	
Energy Star :: No	Lamping Base :: E-26	Delivered Lumens :: N/A	
ADA Compliant :: Yes	Lamp Quantity :: 2	Additional Items :: 0	
Marine Grade :: No	Lamp Wattage :: 10 W		
Emergency Lighting :: No	Total Wattage :: 20w		
Warranty :: 1 Year Limited	Lamps Included :: Yes		
	J-Box Type :: Standard		



Toll Free 800-828-5483 • [www.AccessLighting.com](http://www.AccessLighting.com)

14410 Myford Road, Irvine, CA 92606  
 The information provided is subject to change without notice. ©2020 Access Lighting Corporation. All Rights Reserved  
 Rev. 202004 Filename: 20451LEDDL-BS\_OPL.pdf

