

Model No :: **20446LEDD-MBL/WHT**  
 Name :: Prong



Project Name :: \_\_\_\_\_  
 Location :: \_\_\_\_\_  
 Type :: \_\_\_\_\_  
 Quantity :: \_\_\_\_\_  
 Notes :: \_\_\_\_\_

**Product Information**

Product ID :: 20446  
 UPC Code :: 6.41594E+11  
 Mounting Type :: Wall  
 Finish :: Matte Black  
 Diffuser :: White  
 Alt. Finishes :: Brushed Steel (BS); Matte Black (MBL)  
 Alt. Diffusers :: White (WHT)

**Product Dimensions**

Fixture	Canopy
Length ::	Length :: 11.25
Width :: 7.25	Width :: 6.75
Diameter ::	Diameter ::
Extension :: 3.75	Height :: 0.5
Height :: 12.5	
Overall Height ::	



**Technical Specifications**

**Qualifications**

Location Rating :: Damp  
 Certification :: UL Listed (US/Canada)  
 IES File ::  
 JA8 Compliant :: No  
 Energy Star :: No  
 ADA Compliant :: Yes  
 Marine Grade :: No  
 Emergency Lighting :: No  
 Warranty :: 1 Year Limited

**Specifications**

Frame Material :: Steel  
 Diffuser Material :: Glass  
 Voltage :: 120v  
 Lamping Type :: LED SSL (DLED)  
 Lamping Base :: SSL  
 Lamp Quantity :: 1  
 Lamp Wattage :: 16 W  
 Total Wattage :: 16 W  
 Lamps Included :: Yes  
 J-Box Type :: Standard

**Photometrics**

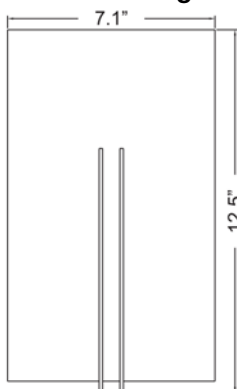
CCT :: 3000 K  
 CRI :: 90  
 Wattage :: 16 W  
 Nominal Lumens :: 1650  
 Delivered Lumens :: 840

**Recommended Dimmers**

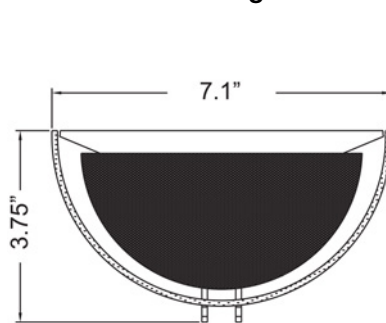
(ELV) LUTRON Diva DVELV-300P; (ELV) LUTRON Diva DVELV-303P; (ELV) LUTRON Skylark SELV-300P

Additional Items :: 0

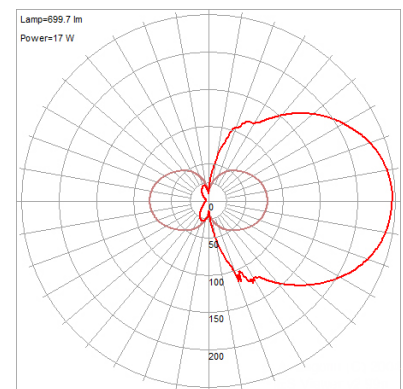
**Line Drawing #1**



**Line Drawing #2**



**IES File**



**Toll Free 800-828-5483 • www.AccessLighting.com**

14410 Myford Road, Irvine, CA 92606

The information provided is subject to change without notice. ©2020 Access Lighting Corporation. All Rights Reserved  
 Rev. 202105 Filename: 20446LEDD-MBL\_WHT.pdf

