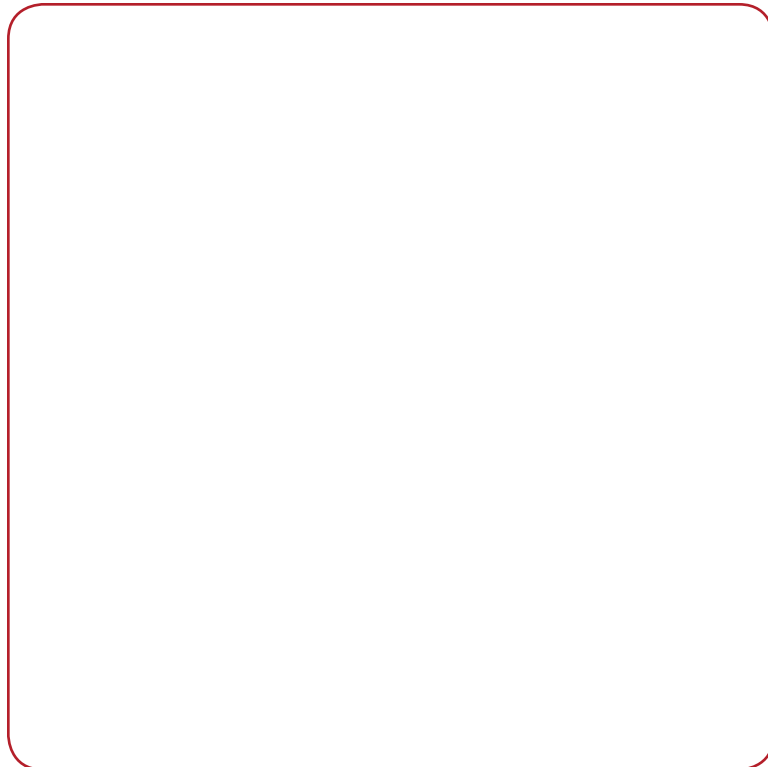


Model No :: **20439LEDDL-BRZ/OPL**
 Name :: Artemis



Project Name :: _____
 Location :: _____
 Type :: _____
 Quantity :: _____
 Notes :: _____

Product Information

Product ID :: 20439
 UPC Code :: 641594231182
 Mounting Type :: Wall
 Finish :: Bronze (BRZ)
 Diffuser :: Opal (OPL)
 Alt. Finishes :: Bronze (BRZ); Brushed Steel (BS)
 Alt. Diffusers :: Opal (OPL)

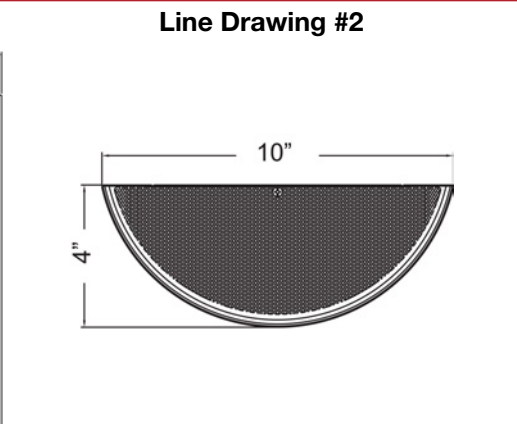
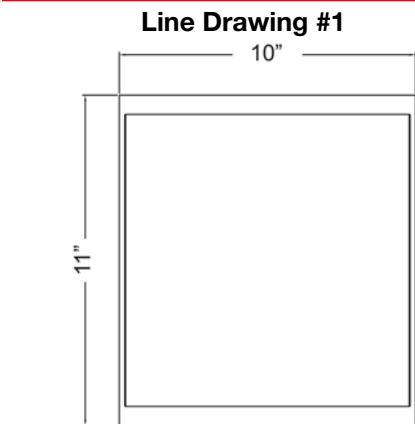
Product Dimensions

Fixture	Canopy
Length :: N/A	Length :: 10"
Width :: 10"	Width :: 7"
Diameter :: N/A	Diameter :: N/A
Extension :: 4"	Height :: 0.5"
Height :: 11"	
Overall Height :: N/A	



Technical Specifications

Qualifications	Specifications	Photometrics	Recommended Dimmers
Location Rating :: Damp	Frame Material :: Steel	CCT :: 3000	(ELV) LUTRON Skylark SELV-300P; (MLV) COOPER Aspire 9530SW; (TRIAC) LEGRAND Titan CD703-PW
Certification :: UL Listed (US/Canada)	Diffuser Material:: Glass	CRI :: 90	
IES File ::	Voltage :: 120v	Wattage :: 20w	
JA8 Compliant :: Yes	Lamping Type :: Replaceable LED	Nominal Lumens :: 1600Lm	
Energy Star :: Yes	Lamping Base :: E-26	Delivered Lumens :: N/A	
ADA Compliant :: Yes	Lamp Quantity :: 2	Additional Items :: 0	
Marine Grade :: No	Lamp Wattage :: 10 W		
Emergency Lighting :: No	Total Wattage :: 20w		
Warranty :: 3 Year Limited	Lamps Included :: Yes		
	J-Box Type :: Standard		



IES File

Image Not Available

Toll Free 800-828-5483 • www.AccessLighting.com

14410 Myford Road, Irvine, CA 92606

The information provided is subject to change without notice. ©2020 Access Lighting Corporation. All Rights Reserved
 Rev. 202004 Filename:: 20439LEDDL-BRZ_OPL.pdf

