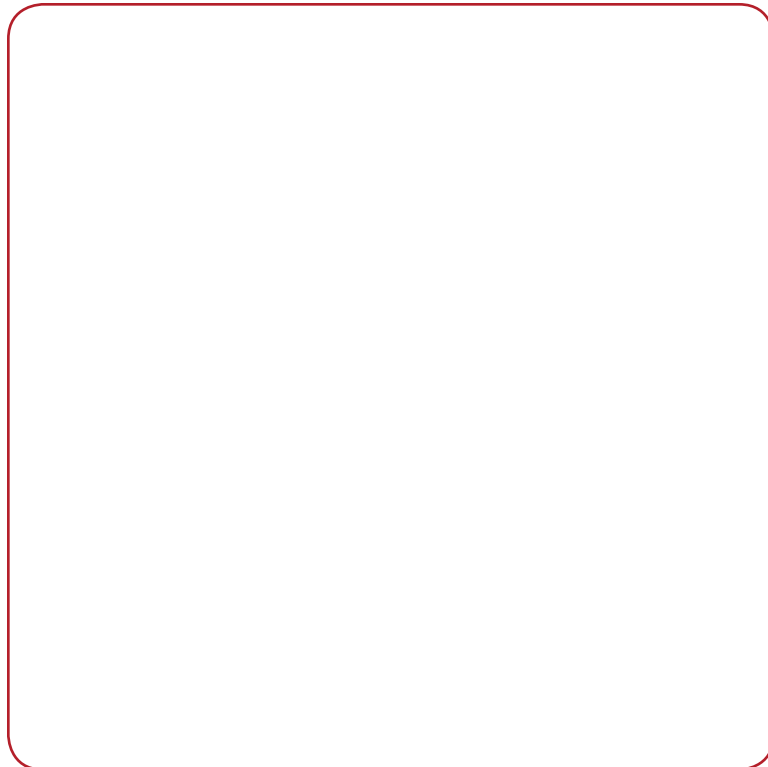


Model No :: **20439LEDD-BRZ/OPL**
 Name :: Artemis



Project Name :: _____
 Location :: _____
 Type :: _____
 Quantity :: _____
 Notes :: _____

Product Information

Product ID :: 20439
 UPC Code :: 641594231151
 Mounting Type :: Wall
 Finish :: Bronze (BRZ)
 Diffuser :: Opal (OPL)
 Alt. Finishes :: Bronze (BRZ); Brushed Steel (BS)
 Alt. Diffusers :: Opal (OPL)

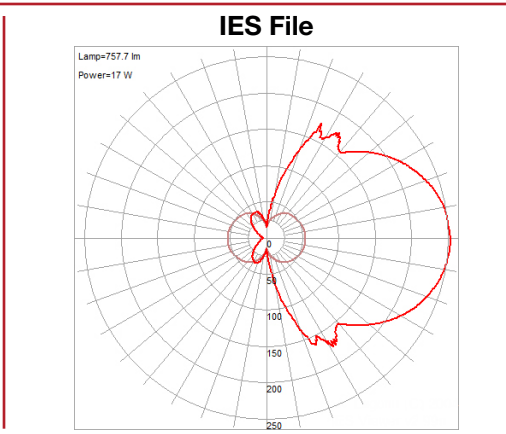
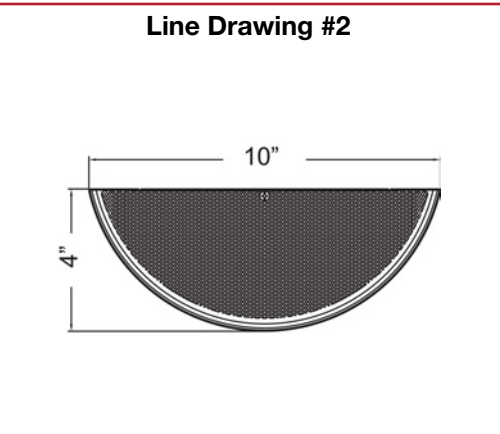
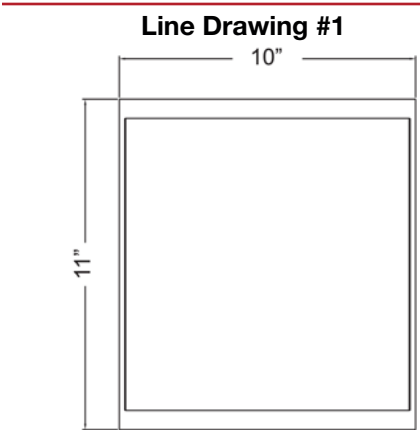
Product Dimensions

Fixture	Canopy
Length :: N/A	Length :: 10"
Width :: 10"	Width :: 7"
Diameter :: N/A	Diameter :: N/A
Extension :: 4"	Height :: 0.5"
Height :: 11"	
Overall Height :: N/A	



Technical Specifications

Qualifications	Specifications	Photometrics	Recommended Dimmers
Location Rating :: Damp	Frame Material :: Steel	CCT :: 3000	0
Certification :: UL Listed (US/Canada)	Diffuser Material :: Glass	CRI :: 90	
IES File ::	Voltage :: 120v	Wattage :: 16w	
JA8 Compliant :: No	Lamping Type :: Dedicated LED	Nominal Lumens :: 1650Lm	
Energy Star :: Yes	Lamping Base :: SSL	Delivered Lumens :: N/A	
ADA Compliant :: Yes	Lamp Quantity :: 1	Additional Items :: Alt Color Temperatures Available; Available in 0-10V Dim; Available in 277V	
Marine Grade :: No	Lamp Wattage :: 16 W		
Emergency Lighting :: No	Total Wattage :: 16w		
Warranty :: 5 Year Limited	Lamps Included :: Yes		
	J-Box Type :: Standard		



Toll Free 800-828-5483 • www.AccessLighting.com

14410 Myford Road, Irvine, CA 92606
 The information provided is subject to change without notice. ©2020 Access Lighting Corporation. All Rights Reserved
 Rev. 202004 Filename:: 20439LEDD-BRZ_OPL.pdf

