

Model No :: **20439-BRZ/OPL**  
 Name :: Artemis

Project Name :: \_\_\_\_\_  
 Location :: \_\_\_\_\_  
 Type :: \_\_\_\_\_  
 Quantity :: \_\_\_\_\_  
 Notes :: \_\_\_\_\_

**Product Information**

Product ID :: 20439  
 UPC Code :: 641594231120  
 Mounting Type :: Wall  
 Finish :: Bronze (BRZ)  
 Diffuser :: Opal (OPL)  
 Alt. Finishes :: Bronze (BRZ); Brushed Steel (BS)  
 Alt. Diffusers :: Opal (OPL)

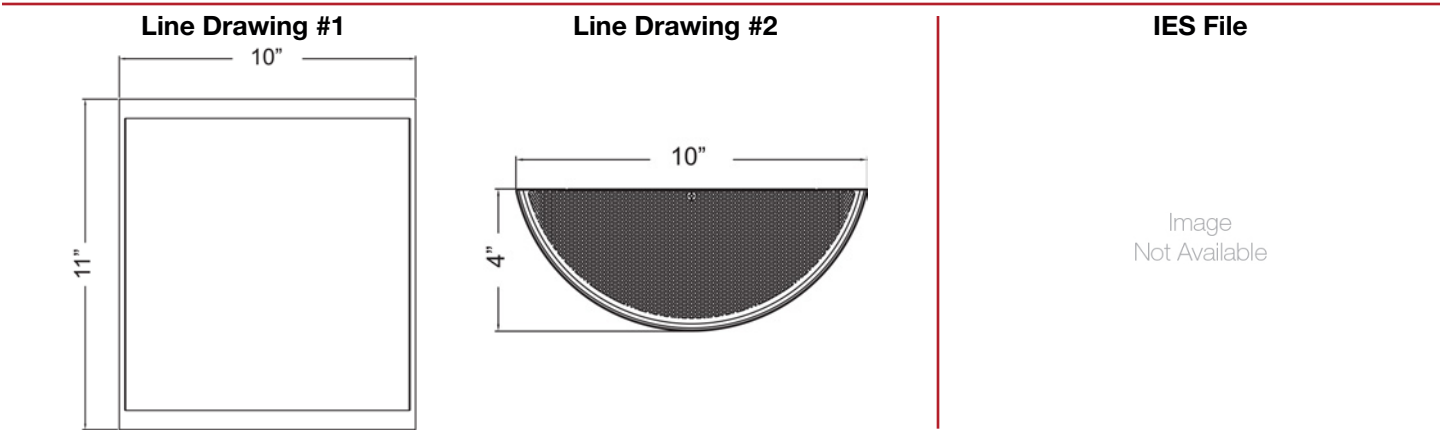
**Product Dimensions**

<b>Fixture</b>		<b>Canopy</b>
Length :: N/A		Length :: 10"
Width :: 10"		Width :: 7"
Diameter :: N/A		Diameter :: N/A
Extension :: 4"		Height :: 0.5"
Height :: 11"		
Overall Height :: N/A		



**Technical Specifications**

Qualifications	Specifications	Photometrics	Recommended Dimmers
Location Rating :: Damp	Frame Material :: Steel	CCT :: 2700	0
Certification :: UL Listed (US/Canada)	Diffuser Material :: Glass	CRI :: N/A	
IES File ::	Voltage :: 120v	Wattage :: 120w	
JA8 Compliant :: No	Lamping Type :: Incandescent	Nominal Lumens :: 1600Lm	
Energy Star :: No	Lamping Base :: E-26	Delivered Lumens :: N/A	
ADA Compliant :: Yes	Lamp Quantity :: 2	Additional Items :: 0	
Marine Grade :: No	Lamp Wattage :: 60 W		
Emergency Lighting :: No	Total Wattage :: 120w		
Warranty :: 1 Year Limited	Lamps Included :: No		
	J-Box Type :: Standard		



**Toll Free 800-828-5483 • www.AccessLighting.com**

14410 Myford Road, Irvine, CA 92606  
 The information provided is subject to change without notice. ©2020 Access Lighting Corporation. All Rights Reserved  
 Rev. 202004    Filename:: 20439-BRZ\_OPL.pdf

