

Model No :: **20415LEDD-OPL**  
 Name :: Daphne



Project Name :: \_\_\_\_\_  
 Location :: \_\_\_\_\_  
 Type :: \_\_\_\_\_  
 Quantity :: \_\_\_\_\_  
 Notes :: \_\_\_\_\_

**Product Information**

Product ID :: 20415  
 UPC Code :: 641594237603  
 Mounting Type :: Wall  
 Finish :: Brushed Steel  
 Diffuser :: Opal  
 Alt. Finishes :: Brushed Steel (BS)  
 Alt. Diffusers :: Alabaster (ALB); Opal (OPL)

**Product Dimensions**

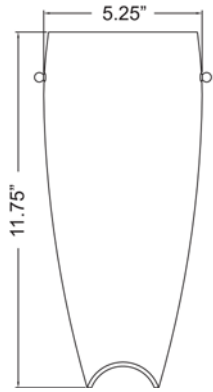
Fixture	Canopy
Length ::	Length :: 8.5
Width :: 5.5	Width :: 4.25
Diameter ::	Diameter ::
Extension :: 4	Height :: 0.5
Height :: 11.75	
Overall Height ::	



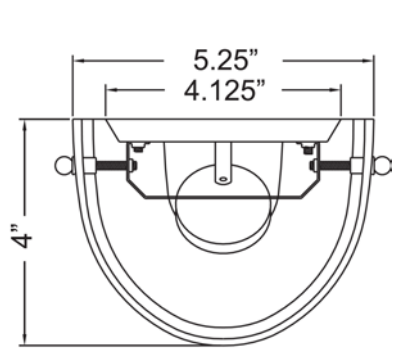
**Technical Specifications**

Qualifications	Specifications	Photometrics	Recommended Dimmers
Location Rating :: Damp	Frame Material :: Steel	CCT :: 3000 K	(ELV) LEVITON Illumatech IPE04; (ELV) LUTRON Diva DVELV-300P; (ELV) LUTRON Maestro MAELV-600; (MLV) LUTRON Diva DVLV-600P; (TRIAC) LEVITON Surslide 6631; (TRIAC) LUTRON Diva DVCL-153P
Certification :: UL Listed (US/Canada)	Diffuser Material:: Glass	CRI :: 90	
IES File ::	Voltage :: 120v	Wattage :: 11 W	
JA8 Compliant :: No	Lamping Type :: LED Puck (RLED)	Nominal Lumens :: 1265	
Energy Star :: No	Lamping Base :: SSL	Delivered Lumens ::	
ADA Compliant :: No	Lamp Quantity :: 1	Additional Items ::	
Marine Grade :: No	Lamp Wattage :: 10.8 W		
Emergency Lighting :: No	Total Wattage :: 11 W		
Warranty :: 1 Year Limited	Lamps Included :: Yes		
	J-Box Type :: Standard		

**Line Drawing #1**



**Line Drawing #2**



**IES File**

Image Not Available

**Toll Free 800-828-5483 • www.AccessLighting.com**

14410 Myford Road, Irvine, CA 92606  
 The information provided is subject to change without notice. ©2020 Access Lighting Corporation. All Rights Reserved  
 Rev. 202105 Filename:: 20415LEDD-OPL.pdf

